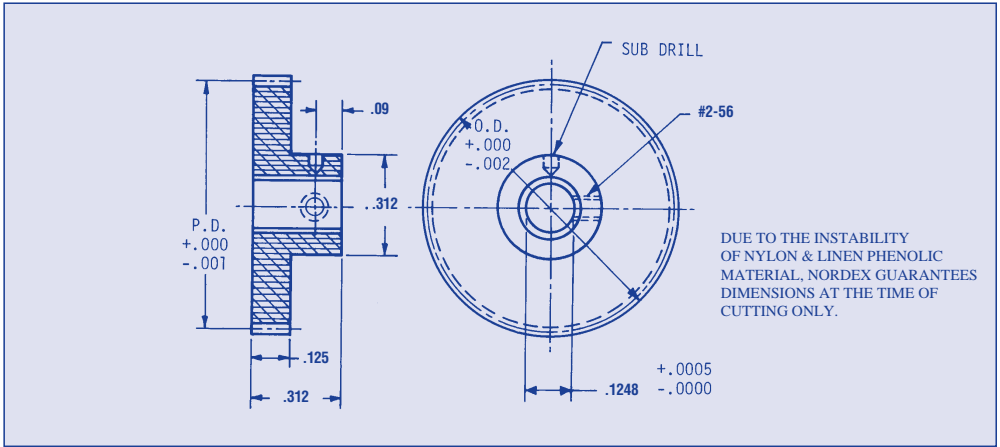


NON-METALLIC SPUR GEARS

20° PRESSURE ANGLE PIN HUB

**96 PITCH
1/8 FACE
1/8 BORE**

Guaranteed to Quality 10 at time of gear cutting.



**Material: Nylon with 300 Series stainless steel bore sleeve.
Linen Phenolic**

ORDER BY CATALOG NUMBER

NYLON*	LINEN PHENOLIC	GEAR DATA		
Cat. No.	Cat. No.	No. of Teeth	Pitch Diameter	Outside Diameter
LLN-J1-35	LLL-J1-35	35	.3646	.385
LLN-J1-36	LLL-J1-36	36	.3750	.396
LLN-J1-37	LLL-J1-37	37	.3854	.406
LLN-J1-40	LLL-J1-40	40	.4167	.438
LLN-J1-48	LLL-J1-48	48	.5000	.521
LLN-J1-50	LLL-J1-50	50	.5208	.542
LLN-J1-56	LLL-J1-56	56	.5833	.604
LLN-J1-60	LLL-J1-60	60	.6250	.646
LLN-J1-64	LLL-J1-64	64	.6667	.688
LLN-J1-70	LLL-J1-70	70	.7292	.750
LLN-J1-72	LLL-J1-72	72	.7500	.771
LLN-J1-80	LLL-J1-80	80	.8333	.854
LLN-J1-90	LLL-J1-90	90	.9375	.958
LLN-J1-96	LLL-J1-96	96	1.0000	1.021
LLN-J1-100	LLL-J1-100	100	1.0417	1.063
LLN-J1-120	LLL-J1-120	120	1.2500	1.271

*Stainless steel bore sleeves are supplied in all nylon gears to add rigidity and support the hub for set screw and pinning. Pinning through both hub and sleeve, and the full length contact of the sleeve with hub and face, prevents loosening.

NORDEX

(800) 243-0986 164L
In CT (203) 775-4877