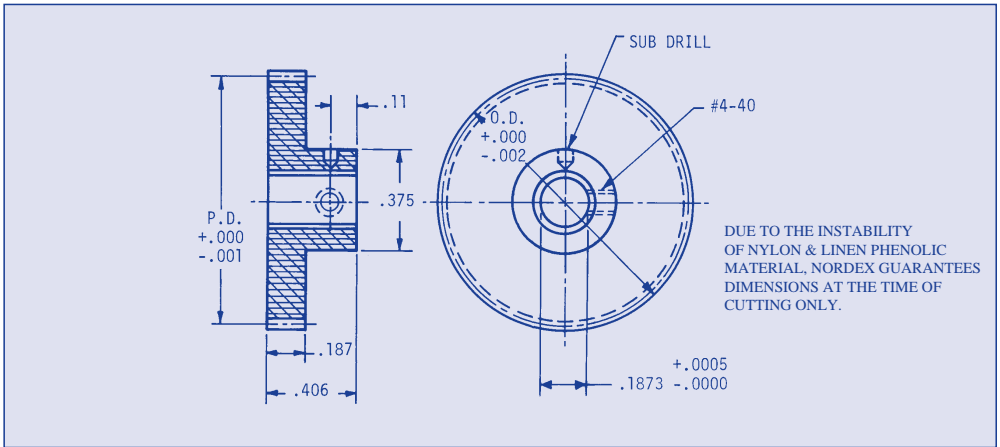


NON-METALLIC SPUR GEARS

20° PRESSURE ANGLE PIN HUB

**64 PITCH
3/16 FACE
3/16 BORE**

Guaranteed to Quality 10 at time of gear cutting.



**Material: Nylon with 300 Series stainless steel bore sleeve.
Linen Phenolic**

ORDER BY CATALOG NUMBER

NYLON*	LINEN PHENOLIC	GEAR DATA		
Cat. No.	Cat. No.	No. of Teeth	Pitch Diameter	Outside Diameter
LLN-F2-30	LLL-F2-30	30	.4688	.500
LLN-F2-32	LLL-F2-32	32	.5000	.531
LLN-F2-36	LLL-F2-36	36	.5625	.594
LLN-F2-40	LLL-F2-40	40	.6250	.656
LLN-F2-48	LLL-F2-48	48	.7500	.781
LLN-F2-50	LLL-F2-50	50	.7813	.813
LLN-F2-56	LLL-F2-56	56	.8750	.906
LLN-F2-60	LLL-F2-60	60	.9375	.969
LLN-F2-64	LLL-F2-64	64	1.0000	1.031
LLN-F2-70	LLL-F2-70	70	1.0938	1.125
LLN-F2-72	LLL-F2-72	72	1.1250	1.156
LLN-F2-80	LLL-F2-80	80	1.2500	1.281
LLN-F2-90	LLL-F2-90	90	1.4063	1.438
LLN-F2-96	LLL-F2-96	96	1.5000	1.531
LLN-F2-100	LLL-F2-100	100	1.5625	1.594
LLN-F2-120	LLL-F2-120	120	1.8750	1.906

*Stainless steel bore sleeves are supplied in all nylon gears to add rigidity and support the hub for set screw and pinning. Pinning through both hub and sleeve, and the full length contact of the sleeve with hub and face, prevents loosening.

NORDEX

(800) 243-0986 162L
In CT (203) 775-4877