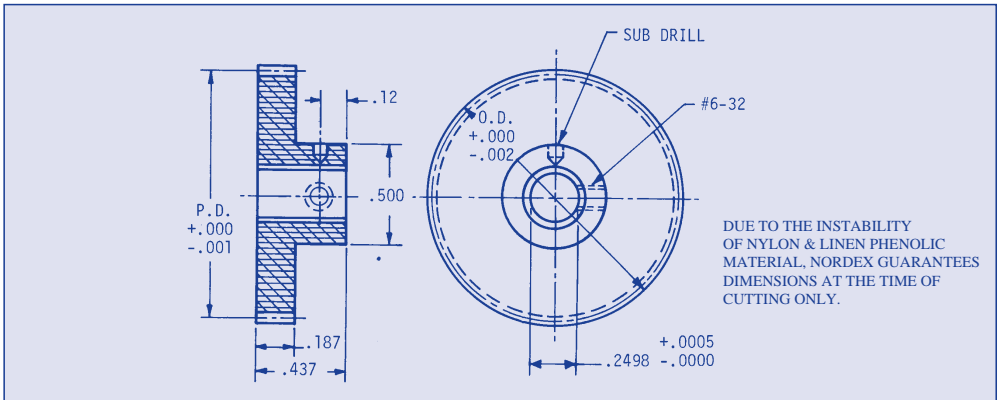


NON-METALLIC SPUR GEARS

20° PRESSURE ANGLE PIN HUB

48 PITCH
3/16 FACE
1/4 BORE

Guaranteed to Quality 10 at time of gear cutting.



Material: Nylon with 300 Series stainless steel bore sleeve.
Linen Phenolic

ORDER BY CATALOG NUMBER

NYLON*	LINEN PHENOLIC	GEAR DATA			
		Cat. No.	No. of Teeth	Pitch Diameter	Outside Diameter
LLN-E3-30	LLL-E3-30		30	.6250	.666
LLN-E3-31	LLL-E3-31		31	.6458	.688
LLN-E3-32	LLL-E3-32		32	.6667	.708
LLN-E3-33	LLL-E3-33		33	.6875	.729
LLN-E3-34	LLL-E3-34		34	.7083	.750
LLN-E3-36	LLL-E3-36		36	.7500	.792
LLN-E3-38	LLL-E3-38		38	.7917	.833
LLN-E3-40	LLL-E3-40		40	.8333	.875
LLN-E3-48	LLL-E3-48		48	1.0000	1.042
LLN-E3-50	LLL-E3-50		50	1.0417	1.083
LLN-E3-56	LLL-E3-56		56	1.1667	1.208
LLN-E3-60	LLL-E3-60		60	1.2500	1.292
LLN-E3-64	LLL-E3-64		64	1.3333	1.375
LLN-E3-70	LLL-E3-70		70	1.4583	1.500
LLN-E3-72	LLL-E3-72		72	1.5000	1.542
LLN-E3-80	LLL-E3-80		80	1.6667	1.708
LLN-E3-90	LLL-E3-90		90	1.8750	1.917
LLN-E3-96	LLL-E3-96		96	2.0000	2.042
LLN-E3-100	LLL-E3-100		100	2.0833	2.125
LLN-E3-120	LLL-E3-120		120	2.5000	2.542

*Stainless steel bore sleeves are supplied in all nylon gears to add rigidity and support the hub for set screw and pinning. Pinning through both hub and sleeve, and the full length contact of the sleeve with hub and face, prevents loosening.

161L (800) 243-0986
In CT (203) 775-4877

NORDEX