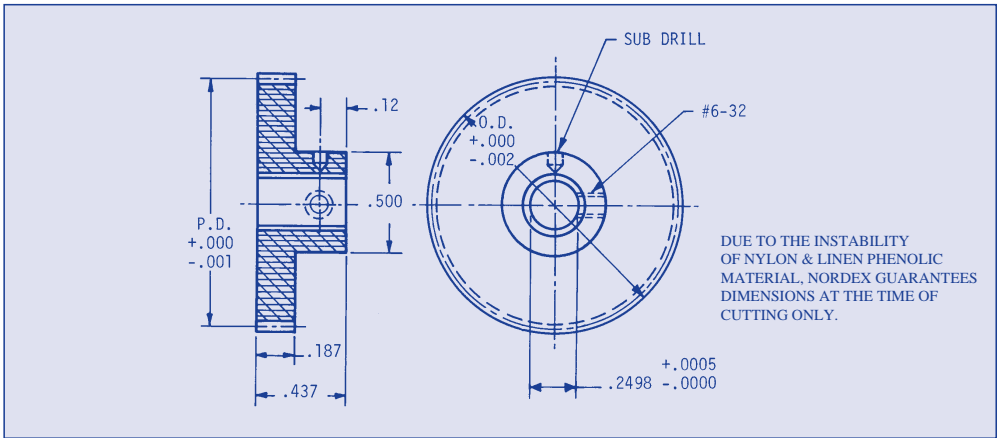


NON-METALLIC SPUR GEARS

20° PRESSURE ANGLE PIN HUB

**32 PITCH
3/16 FACE
1/4 BORE**

Guaranteed to Quality 10 at time of gear cutting.



**Material: Nylon with 300 Series stainless steel bore sleeve.
Linen Phenolic**

ORDER BY CATALOG NUMBER

NYLON*	LINEN PHENOLIC	GEAR DATA		
Cat. No.	Cat. No.	No. of Teeth	Pitch Diameter	Outside Diameter
LLN-D3-20	LLL-D3-20	20	.6250	.688
LLN-D3-21	LLL-D3-21	21	.6562	.719
LLN-D3-22	LLL-D3-22	22	.6875	.750
LLN-D3-23	LLL-D3-23	23	.7187	.781
LLN-D3-24	LLL-D3-24	24	.7500	.813
LLN-D3-25	LLL-D3-25	25	.7812	.844
LLN-D3-26	LLL-D3-26	26	.8125	.875
LLN-D3-27	LLL-D3-27	27	.8437	.906
LLN-D3-28	LLL-D3-28	28	.8750	.938
LLN-D3-29	LLL-D3-29	29	.9062	.969
LLN-D3-34	LLL-D3-34	34	1.0625	1.125
LLN-D3-40	LLL-D3-40	40	1.2500	1.313
LLN-D3-48	LLL-D3-48	48	1.5000	1.563
LLN-D3-56	LLL-D3-56	56	1.7500	1.813
LLN-D3-60	LLL-D3-60	60	1.8750	1.938
LLN-D3-64	LLL-D3-64	64	2.0000	2.063
LLN-D3-72	LLL-D3-72	72	2.2500	2.313
LLN-D3-80	LLL-D3-80	80	2.5000	2.563

*Stainless steel bore sleeves are supplied in all nylon gears to add rigidity and support the hub for set screw and pinning. Pinning through both hub and sleeve, and the full length contact of the sleeve with hub and face, prevents loosening.

NORDEX

(800) 243-0986 160L
In CT (203) 775-4877