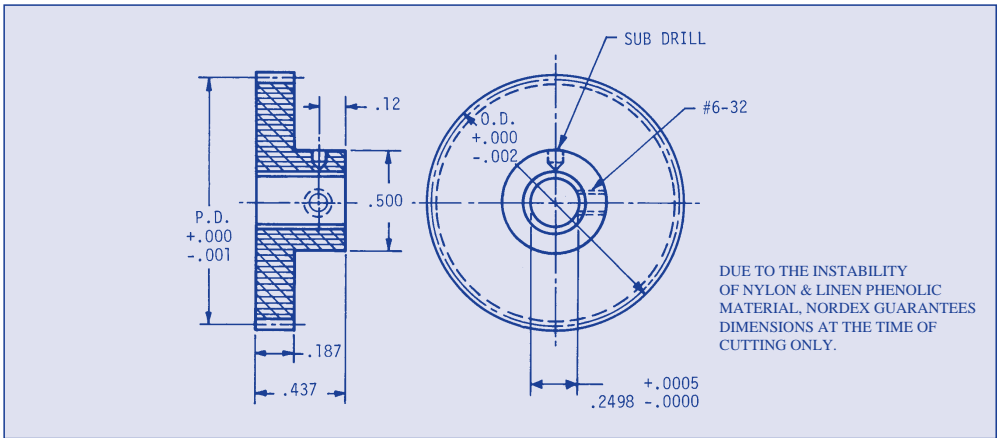


NON-METALLIC SPUR GEARS

20° PRESSURE ANGLE PIN HUB

**24 PITCH
3/16 FACE
1/4 BORE**

Guaranteed to Quality 10 at time of gear cutting.



**Material: Nylon with 300 Series stainless steel bore sleeve.
Linen Phenolic**

ORDER BY CATALOG NUMBER

NYLON*	LINEN PHENOLIC	GEAR DATA		
Cat. No.	Cat. No.	No. of Teeth	Pitch Diameter	Outside Diameter
LLN-C3-15	LLL-C3-15	15	.6250	.708
LLN-C3-16	LLL-C3-16	16	.6666	.750
LLN-C3-17	LLL-C3-17	17	.7083	.792
LLN-C3-18	LLL-C3-18	18	.7500	.833
LLN-C3-19	LLL-C3-19	19	.7916	.875
LLN-C3-20	LLL-C3-20	20	.8333	.917
LLN-C3-21	LLL-C3-21	21	.8750	.958
LLN-C3-22	LLL-C3-22	22	.9166	1.000
LLN-C3-23	LLL-C3-23	23	.9583	1.042
LLN-C3-24	LLL-C3-24	24	1.0000	1.083
LLN-C3-30	LLL-C3-30	30	1.2500	1.333
LLN-C3-36	LLL-C3-36	36	1.5000	1.583
LLN-C3-42	LLL-C3-42	42	1.7500	1.833
LLN-C3-48	LLL-C3-48	48	2.0000	2.083
LLN-C3-54	LLL-C3-54	54	2.2500	2.333
LLN-C3-60	LLL-C3-60	60	2.5000	2.583

*Stainless steel bore sleeves are supplied in all nylon gears to add rigidity and support the hub for set screw and pinning. Pinning through both hub and sleeve, and the full length contact of the sleeve with hub and face, prevents loosening.

159L (800) 243-0986
In CT (203) 775-4877

NORDEX