

# FLAT SPUR GEARS-HUBLESS

**120 PITCH  
1/16 FACE  
3/8 BORE**

**Designed for use with:**

- One way clutches (section "E")
- Cluster gears (section "L")
- Slip clutches (section "E")
- Pin hubs (section "B")
- Screw type hubs (section "B")
- Clamp type hubs (section "B")

**\*\* NO LIGHTENING HOLES**

Depending on application--  
Nordex assembly charges on request.

**Specifications:** Unless otherwise stated, quality #10 or better gears will be supplied. When ordering Q12 or Q14 please supply the catalog number and add Q12 or Q14.

Gear Class	Total Composite Tolerance	Tooth to Tooth Composite Tolerance	Pitch Dia.	Outside Dia.
Q10	.001	.0004	-.001	-.002
Q12	.0005	.0003	-.0007	-.0015
Q14	.00025	.0002	-.0005	-.001

Gear tapes certifying accuracy available at additional cost.

**ORDER BY CATALOG NUMBER**

# 303 STAINLESS STEEL	2024-T4 ALUMINUM ANODIZED BEFORE CUTTING	GEAR DATA		
Cat. No.	Cat. No.	No. of Teeth	Pitch Diameter	Outside Diameter
LCS-K1-75	LCA-K1-75	75	.6250	.642
LCS-K1-78	LCA-K1-78	78	.6500	.667
LCS-K1-84	LCA-K1-84	84	.7000	.717
LCS-K1-90	LCA-K1-90	90	.7500	.767
LCS-K1-96	LCA-K1-96	96	.8000	.817
LCS-K1-100	LCA-K1-100	100	.8333	.850
LCS-K1-102	LCA-K1-102	102	.8500	.867
LCS-K1-105	LCA-K1-105	105	.8750	.892
LCS-K1-108	LCA-K1-108	108	.9000	.917
LCS-K1-110	LCA-K1-110	110	.9166	.933
LCS-K1-114	LCA-K1-114	114	.9500	.967
LCS-K1-120	LCA-K1-120	120	1.0000	1.017
LCS-K1-126	LCA-K1-126	126	1.0500	1.067
LCS-K1-127	LCA-K1-127	127	1.0533	1.075
LCS-K1-130	LCA-K1-130	130	1.0833	1.100
LCS-K1-132	LCA-K1-132	132	1.1000	1.117
LCS-K1-138	LCA-K1-138	138	1.1500	1.167
LCS-K1-140	LCA-K1-140	140	1.1666	1.183
LCS-K1-144	LCA-K1-144	144	1.2000	1.217
LCS-K1-150	LCA-K1-150	150	1.2500	1.267
LCS-K1-156	LCA-K1-156	156	1.3000	1.317
LCS-K1-162	LCA-K1-162	162	1.3500	1.367
LCS-K1-168	LCA-K1-168	168	1.4000	1.417
LCS-K1-174	LCA-K1-174	174	1.4500	1.467
LCS-K1-180	LCA-K1-180	180	1.5000	1.517

\*\* LIGHTENING HOLES available upon request for gears 2 1/8 diameter and over. For hole specifications please refer to catalog number series KPS-J1 "Flat Gear Blanks" in section K.

**NORDEX**

**(800) 243-0986 86L**  
In CT (203) 775-4877

# FLAT SPUR GEARS-HUBLESS

20° PRESSURE ANGLE

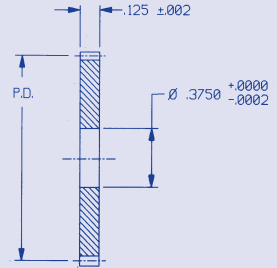
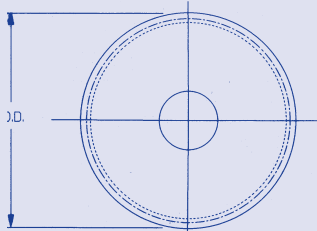
120 PITCH  
1/8 FACE  
3/8 BORE

Designed for use with:

One way clutches (section "E")  
Cluster gears (section "L")  
Slip clutches (section "E")  
Pin hubs (section "B")  
Screw type hubs (section "B")  
Clamp type hubs (section "B")

Depending on application--  
Nordex assembly charges on request.

**\*\* NO LIGHTENING HOLES**



**Specifications:** Unless otherwise stated, quality #10 or better gears will be supplied. When ordering Q12 or Q14 please supply the catalog number and add Q12 or Q14.

Gear Class	Total Composite Tolerance	Tooth to Tooth Composite Tolerance	Pitch Dia.	Outside Dia.
Q10	.001	.0004	-.001	-.002
*Q12	.0005	.0003	-.0007	-.0015
*Q14	.00025	.0002	-.0005	-.001

Gear tapes certifying accuracy available at additional cost.

**ORDER BY CATALOG NUMBER**

# 303 STAINLESS STEEL	2024-T4 ALUMINUM ANODIZED BEFORE CUTTING	GEAR DATA		
Cat. No.	Cat. No.	No. of Teeth	Pitch Diameter	Outside Diameter
LCS-K2-75	LCA-K2-75	75	.6250	.642
LCS-K2-78	LCA-K2-78	78	.6500	.667
LCS-K2-84	LCA-K2-84	84	.7000	.717
LCS-K2-90	LCA-K2-90	90	.7500	.767
LCS-K2-96	LCA-K2-96	96	.8000	.817
LCS-K2-100	LCA-K2-100	100	.8333	.850
LCS-K2-102	LCA-K2-102	102	.8500	.867
LCS-K2-105	LCA-K2-105	105	.8750	.892
LCS-K2-108	LCA-K2-108	108	.9000	.917
LCS-K2-110	LCA-K2-110	110	.9166	.933
LCS-K2-114	LCA-K2-114	114	.9500	.967
LCS-K2-120	LCA-K2-120	120	1.0000	1.017
LCS-K2-126	LCA-K2-126	126	1.0500	1.067
LCS-K2-127	LCA-K2-127	127	1.0533	1.075
LCS-K2-130	LCA-K2-130	130	1.0833	1.100
LCS-K2-132	LCA-K2-132	132	1.1000	1.117
LCS-K2-138	LCA-K2-138	138	1.1500	1.167
LCS-K2-140	LCA-K2-140	140	1.1666	1.183
LCS-K2-144	LCA-K2-144	144	1.2000	1.217
LCS-K2-150	LCA-K2-150	150	1.2500	1.267

\*To produce gear class 12 or 14, the gear must be mounted to its hub before cutting.

\*\* LIGHTENING HOLES available upon request for gears 2 1/8 diameter and over. For hole specifications please refer to catalog number series KPS-J1 "Flat Gear Blanks" in section K.

**87L**

**NORDEX**

# FLAT SPUR GEARS-HUBLESS

CONTINUED

**120 PITCH  
1/8 FACE  
3/8 BORE**

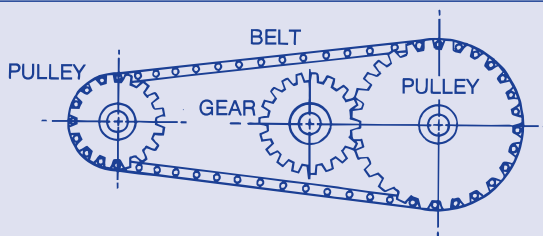
ORDER BY CATALOG NUMBER

# 303 STAINLESS STEEL	2024-T4 ALUMINUM ANODIZED BEFORE CUTTING	GEAR DATA		
Cat. No.	Cat. No.	No. of Teeth	Pitch Diameter	Outside Diameter
LCS-K2-156	LCA-K2-156	156	1.3000	1.317
LCS-K2-162	LCA-K2-162	162	1.3500	1.367
LCS-K2-168	LCA-K2-168	168	1.4000	1.417
LCS-K2-174	LCA-K2-174	174	1.4500	1.467
LCS-K2-180	LCA-K2-180	180	1.5000	1.517
LCS-K2-186	LCA-K2-186	186	1.5500	1.567
LCS-K2-192	LCA-K2-192	192	1.6000	1.617
LCS-K2-240	LCA-K2-240	240	2.0000	2.017
LCS-K2-300	LCA-K2-300	300	2.5000	2.517
LCS-K2-360	LCA-K2-360	360	3.0000	3.017
LCS-K2-420	LCA-K2-420	420	3.5000	3.517
LCS-K2-480	LCA-K2-480	480	4.0000	4.017

## HIGH STRENGTH!

**32 DIAMETRAL PITCH TIMING BELTS  
WITH STAINLESS STEEL CABLE CORE  
RUN ON 32 PITCH GROOVED GEARS.**

Now you can MIX belts and gears in the same system.

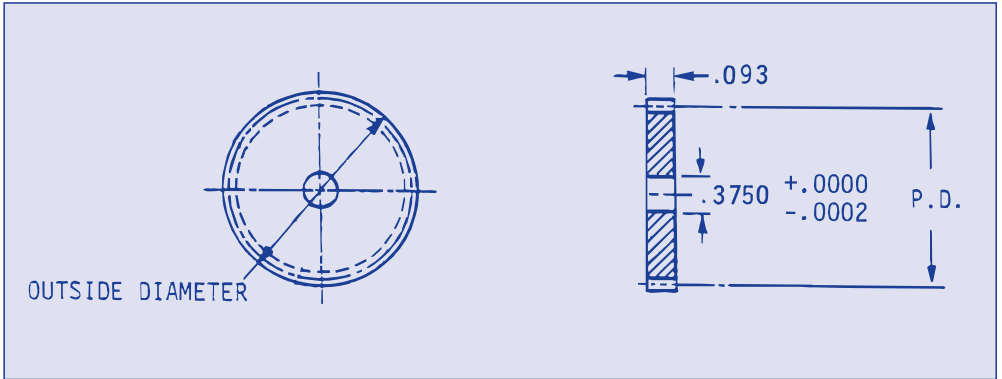


See catalog section FG for complete list of stock sizes.

# FLAT SPUR GEARS-HUBLESS

20° PRESSURE ANGLE

120 PITCH  
3/32 FACE  
3/8 BORE



**Specifications:** Unless otherwise stated, quality #10 or better gears will be supplied. When ordering Q12 or Q14 please supply the catalog number and add Q12 or Q14.

Gear Class	Total Composite Tolerance	Tooth to Tooth Composite Tolerance	Pitch Dia.	Outside Dia.
Q10	.001	.0004	-.001	-.002
*Q12	.0005	.0003	-.0007	-.0015
*Q14	.00025	.0002	-.0005	-.001

Gear tapes certifying accuracy available at additional cost.

**ORDER BY CATALOG NUMBER**

# 303 STAINLESS STEEL	2024-T4 ALUMINUM ANODIZED BEFORE CUTTING	GEAR DATA		
Cat. No.	Cat. No.	No. of Teeth	Pitch Diameter	Outside Diameter
LCS-K3-96	LCA-K3-96	96	.8000	.817
LCS-K3-100	LCA-K3-100	100	.8333	.850
LCS-K3-105	LCA-K3-105	105	.8750	.892
LCS-K3-108	LCA-K3-108	108	.9000	.917
LCS-K3-110	LCA-K3-110	110	.9166	.933
LCS-K3-120	LCA-K3-120	120	1.0000	1.017
LCS-K3-125	LCA-K3-125	125	1.0417	1.058
LCS-K3-132	LCA-K3-132	132	1.1000	1.117
LCS-K3-140	LCA-K3-140	140	1.1666	1.183
LCS-K3-144	LCA-K3-144	144	1.2000	1.217
LCS-K3-150	LCA-K3-150	150	1.2500	1.267
LCS-K3-160	LCA-K3-160	160	1.3333	1.350
LCS-K3-168	LCA-K3-168	168	1.4000	1.417
LCS-K3-180	LCA-K3-180	180	1.5000	1.517
LCS-K3-192	LCA-K3-192	192	1.6000	1.617

LIGHTENING HOLES available on request.

**89L (800) 243-0986**  
In CT (203) 775-4877

**NORDEX**