

# FLAT SPUR GEARS-HUBLESS

**96 PITCH  
1/16 FACE  
3/8 BORE**

**Designed for use with:**

- One way clutches (section "E")
- Cluster gears (section "L")
- Slip clutches (section "E")
- Pin hubs (section "B")
- Screw type hubs (section "B")
- Clamp type hubs (section "B")

Depending on application--  
Nordex assembly charges on request.

**\*\* NO LIGHTENING HOLES**

**Specifications:** Unless otherwise stated, 20° pressure angle, quality #10 or better gears will be supplied. When ordering Q12 or Q14 please supply the catalog number and add Q12 or Q14.

Gear Class	Total Composite Tolerance	Tooth to Tooth Composite Tolerance	Pitch Dia.	Outside Dia.
Q10	.001	.0004	-.001	-.002
Q12	.0005	.0003	-.0007	-.0015
Q14	.00025	.0002	-.0005	-.001

Gear tapes certifying accuracy available at additional cost.

**ORDER BY CATALOG NUMBER**

# 303 STAINLESS STEEL	2024-T4 ALUMINUM ANODIZED BEFORE CUTTING	GEAR DATA		
Cat. No.	Cat. No.	No. of Teeth	Pitch Diameter	Outside Diameter
LCS-J1-58	LCA-J1-58	58	.6041	.625
LCS-J1-59	LCA-J1-59	59	.6145	.635
LCS-J1-60	LCA-J1-60	60	.6250	.646
LCS-J1-61	LCA-J1-61	61	.6354	.656
LCS-J1-62	LCA-J1-62	62	.6458	.667
LCS-J1-63	LCA-J1-63	63	.6562	.677
LCS-J1-64	LCA-J1-64	64	.6666	.688
LCS-J1-65	LCA-J1-65	65	.6770	.698
LCS-J1-66	LCA-J1-66	66	.6875	.708
LCS-J1-72	LCA-J1-72	72	.7500	.771
LCS-J1-84	LCA-J1-84	84	.8750	.896
LCS-J1-96	LCA-J1-96	96	1.0000	1.021
LCS-J1-100	LCA-J1-100	100	1.0416	1.063
LCS-J1-108	LCA-J1-108	108	1.1250	1.146
LCS-J1-116	LCA-J1-116	116	1.2083	1.229
LCS-J1-120	LCA-J1-120	120	1.2500	1.271
LCS-J1-127	LCA-J1-127	127	1.3229	1.344
LCS-J1-132	LCA-J1-132	132	1.3750	1.396
LCS-J1-144	LCA-J1-144	144	1.5000	1.521
LCS-J1-156	LCA-J1-156	156	1.6250	1.646
LCS-J1-168	LCA-J1-168	168	1.7500	1.771
LCS-J1-180	LCA-J1-180	180	1.8750	1.896
LCS-J1-192	LCA-J1-192	192	2.0000	2.021
LCS-J1-216	LCA-J1-216	216	2.2500	2.271
LCS-J1-228	LCA-J1-228	228	2.3750	2.396

\*\* LIGHTENING HOLES available upon request for gears 2 1/8 diameter and over. For hole specifications please refer to catalog number series KPS-J1 "Flat Gear Blanks" in section K.

**NORDEX**

**(800) 243-0986 82L**  
In CT (203) 775-4877

# FLAT SPUR GEARS-HUBLESS

**96 PITCH  
1/8 FACE  
3/8 BORE**

**\*\* NO LIGHTENING HOLES**

Designed for use with:

- One way clutches (section "E")
- Cluster gears (section "L")
- Slip clutches (section "E")
- Pin hubs (section "B")
- Screw type hubs (section "B")
- Clamp type hubs (section "B")

Depending on application--  
Nordex assembly charges on request.

**Specifications:** Unless otherwise stated, 20° pressure angle, quality #10 or better gears will be supplied. When ordering Q12 or Q14 please supply the catalog number and add Q12 or Q14.

Gear Class	Total Composite Tolerance	Tooth to Tooth Composite Tolerance	Pitch Dia.	Outside Dia.
Q10	.001	.0004	-.001	-.002
*Q12	.0005	.0003	-.0007	-.0015
*Q14	.00025	.0002	-.0005	-.001

Gear tapes certifying accuracy available at additional cost.

**ORDER BY CATALOG NUMBER**

# 303 STAINLESS STEEL	2024-T4 ALUMINUM ANODIZED BEFORE CUTTING	GEAR DATA		
Cat. No.	Cat. No.	No. of Teeth	Pitch Diameter	Outside Diameter
LCS-J2-58	LCA-J2-58	58	.6041	.625
LCS-J2-59	LCA-J2-59	59	.6145	.635
LCS-J2-60	LCA-J2-60	60	.6250	.646
LCS-J2-61	LCA-J2-61	61	.6354	.656
LCS-J2-62	LCA-J2-62	62	.6458	.667
LCS-J2-63	LCA-J2-63	63	.6562	.677
LCS-J2-64	LCA-J2-64	64	.6666	.688
LCS-J2-65	LCA-J2-65	65	.6770	.698
LCS-J2-66	LCA-J2-66	66	.6875	.708
LCS-J2-72	LCA-J2-72	72	.7500	.771
LCS-J2-84	LCA-J2-84	84	.8750	.896
LCS-J2-96	LCA-J2-96	96	1.0000	1.021
LCS-J2-100	LCA-J2-100	100	1.0416	1.063
LCS-J2-108	LCA-J2-108	108	1.1250	1.146
LCS-J2-116	LCA-J2-116	116	1.2083	1.229

\*To produce gear class 12 or 14, the gear must be mounted to its hub before cutting.

\*\* LIGHTENING HOLES available upon request for gears 2 1/8 diameter and over. For hole specifications please refer to product catalog number series KPS-J1 "Flat Gear Blanks" in section K.

**83L (800) 243-0986**  
In CT (203) 775-4877

**NORDEX**

# FLAT SPUR GEARS-HUBLESS

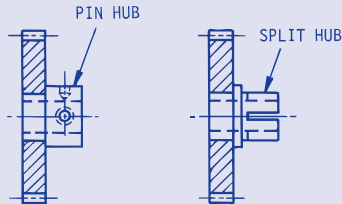
CONTINUED

96 PITCH  
1/8 FACE  
3/8 BORE

ORDER BY CATALOG NUMBER

# 303 STAINLESS STEEL	2024-T4 ALUMINUM ANODIZED BEFORE CUTTING	GEAR DATA		
Cat. No.	Cat. No.	No. of Teeth	Pitch Diameter	Outside Diameter
LCS-J2-120	LCA-J2-120	120	1.2500	1.271
LCS-J2-127	LCA-J2-127	127	1.3220	1.344
LCS-J2-132	LCA-J2-132	132	1.3750	1.396
LCS-J2-144	LCA-J2-144	144	1.5000	1.521
LCS-J2-156	LCA-J2-156	156	1.6250	1.646
LCS-J2-168	LCA-J2-168	168	1.7500	1.771
LCS-J2-180	LCA-J2-180	180	1.8750	1.896
LCS-J2-192	LCA-J2-192	192	2.0000	2.021
LCS-J2-216	LCA-J2-216	216	2.2500	2.271
LCS-J2-228	LCA-J2-228	228	2.3750	2.396
LCS-J2-240	LCA-J2-240	240	2.5000	2.521
LCS-J2-264	LCA-J2-264	264	2.7500	2.771
LCS-J2-288	LCA-J2-288	288	3.0000	3.021
LCS-J2-336	LCA-J2-336	336	3.5000	3.521
LCS-J2-384	LCA-J2-384	384	4.0000	4.021

## EXAMPLES OF FLAT GEAR AND HUB ASSEMBLIES



FOR HUBS SEE CATALOG SECTION "B"

Depending on torsional requirements, gears may be pressed to hubs, notched and staked, epoxyed or dutch pinned. Please inquire for Nordex assembly charges.

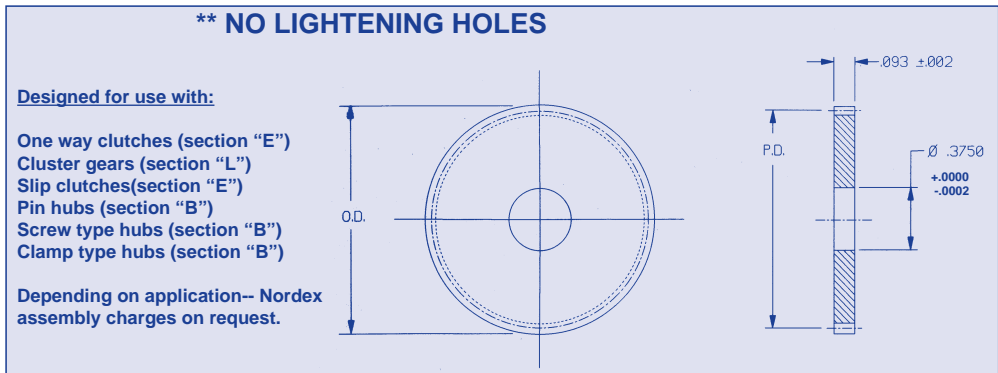
**NORDEX**

**(800) 243-0986 84L**  
In CT (203) 775-4877

# FLAT SPUR GEARS-HUBLESS

20° PRESSURE ANGLE

**96 PITCH  
3/32 FACE  
3/8 BORE**



**Specifications:** Unless otherwise stated, quality #10 or better gears will be supplied. When ordering Q12 or Q14 please supply the catalog number and add Q12 or Q14.

Gear Class	Total Composite Tolerance	Tooth to Tooth Composite Tolerance	Pitch Dia.	Outside Dia.
Q10	.001	.0004	-.001	-.002
Q12	.0005	.0003	-.0007	-.0015
Q14	.00025	.0002	-.0005	-.001

Gear tapes certifying accuracy available at additional cost.

**ORDER BY CATALOG NUMBER**

# 303 STAINLESS STEEL	2024-T4 ALUMINUM ANODIZED BEFORE CUTTING	GEAR DATA		
Cat. No.	Cat. No.	No. of Teeth	Pitch Diameter	Outside Diameter
LCS-J3-96	LCA-J3-96	96	1.0000	1.021
LCS-J3-100	LCA-J3-100	100	1.0416	1.063
LCS-J3-105	LCA-J3-105	105	1.0938	1.115
LCS-J3-108	LCA-J3-108	108	1.1250	1.146
LCS-J3-110	LCA-J3-110	110	1.1458	1.167
LCS-J3-120	LCA-J3-120	120	1.2500	1.271
LCS-J3-125	LCA-J3-125	125	1.3020	1.323
LCS-J3-132	LCA-J3-132	132	1.3750	1.396
LCS-J3-140	LCA-J3-140	140	1.4583	1.479
LCS-J3-144	LCA-J3-144	144	1.5000	1.521
LCS-J3-150	LCA-J3-150	150	1.5625	1.583
LCS-J3-160	LCA-J3-160	160	1.6667	1.688
LCS-J3-180	LCA-J3-180	180	1.8750	1.896
LCS-J3-190	LCA-J3-190	190	1.9792	2.000
LCS-J3-192	LCA-J3-192	192	2.0000	2.021

\*\* LIGHTENING HOLES available upon request for gears 2 1/8 diameter and over.

**85L (800) 243-0986**  
In CT (203) 775-4877

**NORDEX**