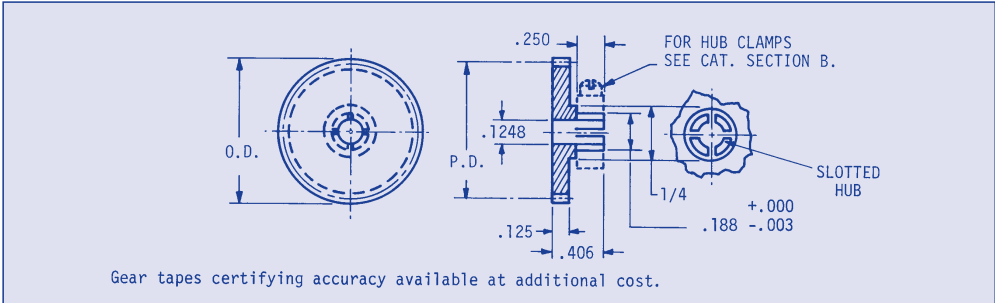


# SPUR GEARS-SPLIT HUB

20° PRESSURE ANGLE

**64 PITCH  
1/8 FACE  
1/8 BORE**



**Specifications:** Unless otherwise stated, quality #10 or better gears will be supplied. When ordering Q12 or Q14 please supply the catalog number and add Q12 or Q14

Gear Class	Total Composite Tolerance	Tooth to Tooth Composite Tolerance	Bore	Pitch Dia.	Outside Dia.
Q10	.001	.0004	+ .0005	-.001	-.002
Q12	.0005	.0003	+ .0003	-.0007	-.0015
Q14	.00025	.0002	+ .0002	-.0005	-.001

## ORDER BY CATALOG NUMBER

# 303 STAINLESS STEEL	2024-T4 ALUMINUM ANODIZED BEFORE CUTTING	GEAR DATA		
Cat. No.	Cat. No.	No. of Teeth	Pitch Diameter	Outside Diameter
LBS-F1-20	LBA-F1-20	20	.3125	.344
LBS-F1-21	LBA-F1-21	21	.3281	.359
LBS-F1-22	LBA-F1-22	22	.3437	.375
LBS-F1-24	LBA-F1-24	24	.3750	.406
LBS-F1-25	LBA-F1-25	25	.3906	.422
LBS-F1-27	LBA-F1-27	27	.4218	.453
LBS-F1-28	LBA-F1-28	28	.4375	.469
LBS-F1-30	LBA-F1-30	30	.4687	.500
LBS-F1-32	LBA-F1-32	32	.5000	.521
LBS-F1-36	LBA-F1-36	36	.5625	.594
LBS-F1-40	LBA-F1-40	40	.6250	.656
LBS-F1-42	LBA-F1-42	42	.6562	.688
LBS-F1-44	LBA-F1-44	44	.6875	.719
LBS-F1-48	LBA-F1-48	48	.7500	.781
LBS-F1-50	LBA-F1-50	50	.7812	.813
LBS-F1-55	LBA-F1-55	55	.8593	.891
LBS-F1-56	LBA-F1-56	56	.8750	.906
LBS-F1-60	LBA-F1-60	60	.9375	.969
LBS-F1-72	LBA-F1-72	72	1.1250	1.156
LBS-F1-80	LBA-F1-80	80	1.2500	1.281
LBS-F1-88	LBA-F1-88	88	1.3750	1.406
LBS-F1-96	LBA-F1-96	96	1.5000	1.531
LBS-F1-104	LBA-F1-104	104	1.6250	1.656
LBS-F1-112	LBA-F1-112	112	1.7500	1.781
LBS-F1-120	LBA-F1-120	120	1.8750	1.906

The number of teeth shown does not reflect our entire stock, unlisted teeth, supplied at modest additional cost. 14 1/2° pressure angle, special bores and materials - prices on application.

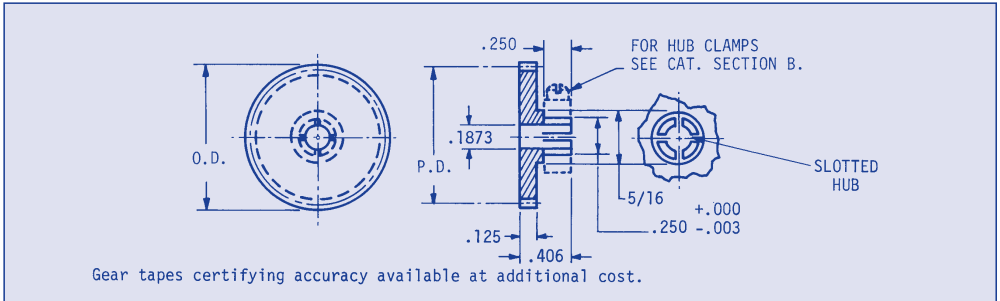
**57L (800) 243-0986**  
In CT (203) 775-4877

**NORDEX**

# SPUR GEARS-SPLIT HUB

20° PRESSURE ANGLE

**64 PITCH**  
**1/8 FACE**  
**3/16 BORE**



**Specifications:** Unless otherwise stated, quality #10 or better gears will be supplied. When ordering Q12 or Q14 please supply the catalog number and add Q12 or Q14.

Gear Class	Total Composite Tolerance	Tooth to Tooth Composite Tolerance	Bore	Pitch Dia.	Outside Dia.
Q10	.001	.0004	+ .0005	-.001	-.002
Q12	.0005	.0003	+ .0003	-.0007	-.0015
Q14	.00025	.0002	+ .0002	-.0005	-.001

## ORDER BY CATALOG NUMBER

# 303 STAINLESS STEEL	2024-T4 ALUMINUM ANODIZED BEFORE CUTTING	GEAR DATA		
Cat. No.	Cat. No.	No. of Teeth	Pitch Diameter	Outside Diameter
*LBS-F2-22	*LBA-F2-22	22	.3437	.375
LBS-F2-23	LBA-F2-23	23	.3593	.391
LBS-F2-24	LBA-F2-24	24	.3750	.406
LBS-F2-25	LBA-F2-25	25	.3906	.422
LBS-F2-26	LBA-F2-26	28	.4375	.469
LBS-F2-30	LBA-F2-30	30	.4687	.500
LBS-F2-32	LBA-F2-32	32	.5000	.531
LBS-F2-36	LBA-F2-36	36	.5625	.594
LBS-F2-40	LBA-F2-40	40	.6250	.656
LBS-F2-42	LBA-F2-42	42	.6562	.688
LBS-F2-44	LBA-F2-44	44	.6875	.719
LBS-F2-46	LBA-F2-46	46	.7187	.750
LBS-F2-48	LBA-F2-48	48	.7500	.781
LBS-F2-50	LBA-F2-50	50	.7812	.813
LBS-F2-55	LBA-F2-55	55	.8593	.891
LBS-F2-56	LBA-F2-56	56	.8750	.906
LBS-F2-60	LBA-F2-60	60	.9375	.969
LBS-F2-64	LBA-F2-64	64	1.0000	1.031
LBS-F2-72	LBA-F2-72	72	1.1250	1.156
LBS-F2-80	LBA-F2-80	80	1.2500	1.281
LBS-F2-88	LBA-F2-88	88	1.3750	1.406
LBS-F2-96	LBA-F2-96	96	1.5000	1.531
LBS-F2-104	LBA-F2-104	104	1.6250	1.656
LBS-F2-112	LBA-F2-112	112	1.7500	1.781
LBS-F2-120	LBA-F2-120	120	1.8750	1.906

The number of teeth shown does not reflect our entire stock, unlisted teeth, supplied at modest additional cost. 14 1/2° pressure angle, special bores and materials - prices on application

\*Gear hob cuts into 5/16ths hub.

**NORDEX**

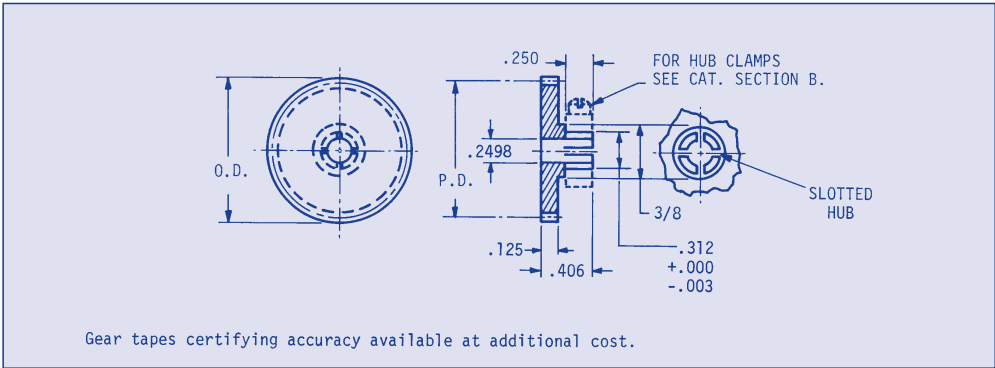
**(800) 243-0986**  
In CT (203) 775-4877

**58L**

# SPUR GEARS-SPLIT HUB

20° PRESSURE ANGLE

**64 PITCH**  
**1/8 FACE**  
**1/4 BORE**



**Specifications:** Unless otherwise stated, quality #10 or better gears will be supplied. When ordering Q12 or Q14 please supply the catalog number and add Q12 or Q14.

Gear Class	Total Composite Tolerance	Tooth to Tooth Composite Tolerance	Bore	Pitch Dia.	Outside Dia.
Q10	.001	.0004	+ .0005	- .001	- .002
Q12	.0005	.0003	+ .0003	- .0007	- .0015
Q14	.00025	.0002	+ .0002	- .0005	- .001

**ORDER BY CATALOG NUMBER**

# 303 STAINLESS STEEL	2024-T4 ALUMINUM ANODIZED BEFORE CUTTING	GEAR DATA		
Cat. No.	Cat. No.	No. of Teeth	Pitch Diameter	Outside Diameter
*LBS-F3-22	*LBA-F3-22	22	.3437	.375
*LBS-F3-23	*LBA-F3-23	23	.3593	.391
*LBS-F3-24	*LBA-F3-24	24	.3750	.406
*LBS-F3-25	*LBA-F3-25	25	.3906	.422
*LBS-F3-26	*LBA-F3-26	26	.4062	.438
LBS-F3-27	LBA-F3-27	27	.4218	.453
LBS-F3-28	LBA-F3-28	28	.4375	.469
LBS-F3-29	LBA-F3-29	29	.4531	.484
LBS-F3-30	LBA-F3-30	30	.4687	.500
LBS-F3-32	LBA-F3-32	32	.5000	.531
LBS-F3-34	LBA-F3-34	34	.5312	.563
LBS-F3-36	LBA-F3-36	36	.5625	.594
LBS-F3-38	LBA-F3-38	38	.5937	.625
LBS-F3-40	LBA-F3-40	40	.6250	.656
LBS-F3-42	LBA-F3-42	42	.6562	.688

\* Gear hob cuts into 3/8ths hub.

# SPUR GEARS-SPLIT HUB CONTINUED

**64 PITCH  
1/8 FACE  
1/4 BORE**

20° PRESSURE ANGLE

ORDER BY CATALOG NUMBER

# 303 STAINLESS STEEL	2024-T4 ALUMINUM ANODIZED BEFORE CUTTING	GEAR DATA		
Cat. No.	Cat. No.	No. of Teeth	Pitch Diameter	Outside Diameter
LBS-F3-44	LBA-F3-44	44	.6875	.719
LBS-F3-46	LBA-F3-46	46	.7187	.750
LBS-F3-48	LBA-F3-48	48	.7500	.781
LBS-F3-50	LBA-F3-50	50	.7812	.813
LBS-F3-55	LBA-F3-55	55	.8593	.891
LBS-F3-56	LBA-F3-56	56	.8750	.906
LBS-F3-60	LBA-F3-60	60	.9375	.969
LBS-F3-64	LBA-F3-64	64	1.0000	1.031
LBS-F3-72	LBA-F3-72	72	1.1250	1.156
LBS-F3-80	LBA-F3-80	80	1.2500	1.281
LBS-F3-88	LBA-F3-88	88	1.3750	1.406
LBS-F3-96	LBA-F3-96	96	1.5000	1.531
LBS-F3-104	LBA-F3-104	104	1.6250	1.656
LBS-F3-112	LBA-F3-112	112	1.7500	1.781
LBS-F3-120	LBA-F3-120	120	1.8750	1.906
LBS-F3-127	LBA-F3-127	127	1.9843	2.016
LBS-F3-128	LBA-F3-128	128	2.0000	2.031
LBS-F3-136	LBA-F3-136	136	2.1250	2.156
LBS-F3-144	LBA-F3-144	144	2.2500	2.281
LBS-F3-160	LBA-F3-160	160	2.5000	2.531
LBS-F3-176	LBA-F3-176	176	2.7500	2.781
LBS-F3-192	LBA-F3-192	192	3.0000	3.031
LBS-F3-208	LBA-F3-208	208	3.2500	3.281
LBS-F3-224	LBA-F3-224	224	3.5000	3.531
LBS-F3-240	LBA-F3-240	240	3.7500	3.781
LBS-F3-256	LBA-F3-256	256	4.0000	4.031
LBS-F3-264	LBA-F3-264	264	4.1250	4.156

The number of teeth shown does not reflect our entire stock, unlisted teeth supplied at modest additional cost. 14 1/2° pressure angle, special bores and materials - price on application. Discounts available depending on quantity.

## REFERENCE INFORMATION...

If you encounter the problem of making a pair of gears fit a pre-established center distance (and the gear characteristics are unknown), refer to the "Gear Selection Charts" in the technical section of this catalog. There you will find the method by which this can be done with appropriate examples.

**NORDEX**

**(800) 243-0986**  
In CT (203) 775-4877

**60L**