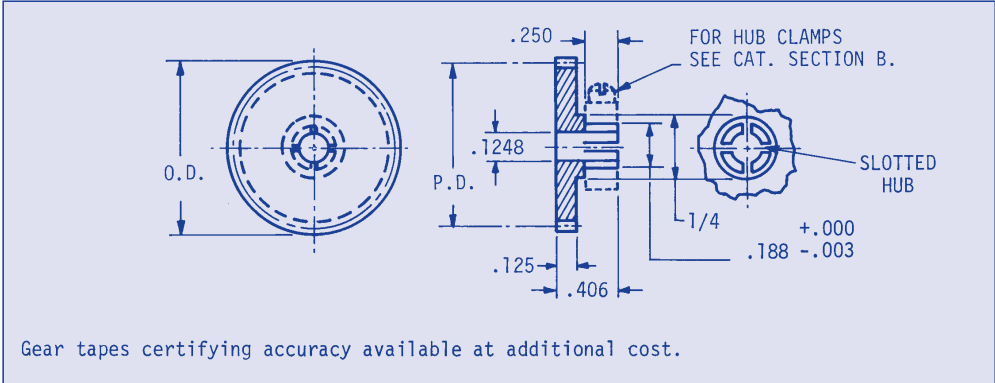


SPUR GEARS-SPLIT HUB

20° PRESSURE ANGLE

**32 PITCH
1/8 FACE
1/8 BORE**



Specifications: Unless otherwise stated, quality #10 or better gears will be supplied. When ordering Q12 or Q14 please supply the catalog number and add Q12 or Q14

Gear Class	Total Composite Tolerance	Tooth to Tooth Composite Tolerance	Bore	Pitch Dia.	Outside Dia.
Q10	.001	.0004	+ .0005	- .001	- .002
Q12	.0005	.0003	+ .0003	- .0007	- .0015
Q14	.00025	.0002	+ .0002	- .0005	- .001

# 303 STAINLESS STEEL	2024-T4-ALUMINUM ANODIZED BEFORE CUTTING	GEAR DATA		
Cat. No.	Cat. No.	No. of Teeth	Pitch Diameter	Outside Diameter
LBS-D1-14	LBA-D1-14	14	.4375	.500
LBS-D1-15	LBA-D1-15	15	.4688	.531
LBS-D1-16	LBA-D1-16	16	.5000	.563
LBS-D1-17	LBA-D1-17	17	.5313	.594
LBS-D1-18	LBA-D1-18	18	.5625	.625
LBS-D1-19	LBA-D1-19	19	.5938	.656
LBS-D1-20	LBA-D1-20	20	.6250	.688
LBS-D1-22	LBA-D1-22	22	.6875	.750
LBS-D1-24	LBA-D1-24	24	.7500	.813
LBS-D1-26	LBA-D1-26	26	.8125	.875
LBS-D1-28	LBA-D1-28	28	.8750	.938
LBS-D1-30	LBA-D1-30	30	.9375	1.000
LBS-D1-32	LBA-D1-32	32	1.0000	1.063
LBS-D1-36	LBA-D1-36	36	1.1250	1.188
LBS-D1-40	LBA-D1-40	40	1.2500	1.313
LBS-D1-48	LBA-D1-48	48	1.5000	1.563
LBS-D1-56	LBA-D1-56	56	1.7500	1.813

The number of teeth shown does not reflect our entire stock - unlisted teeth supplied at modest additional cost. 14 1/2° pressure angle, special bores and materials - price on application.

Split hub gears are designed to clamp to the shaft thereby permitting synchronization with other elements.

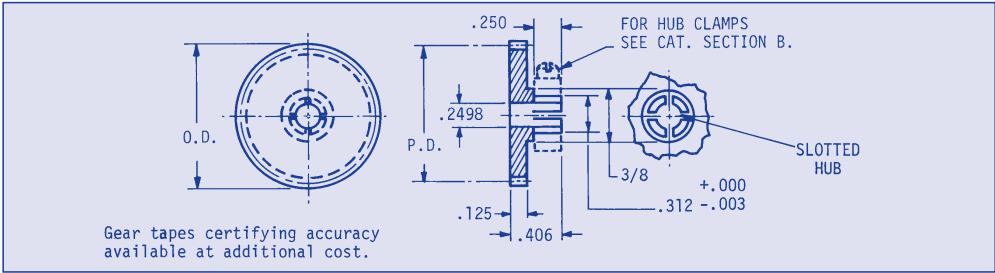
49L (800) 243-0986
In CT (203) 775-4877

NORDEX

SPUR GEARS-SPLIT HUB

20° PRESSURE ANGLE

32 PITCH
1/8 FACE
1/4 BORE



Specifications: Unless otherwise stated, quality #10 or better gears will be supplied. When ordering Q12 or Q14 please supply the catalog number and add Q12 or Q14

Gear Class	Total Composite Tolerance	Tooth to Tooth Composite Tolerance	Bore	Pitch Dia.	Outside Dia.
Q10	.001	.0004	+.0005	-.001	-.002
Q12	.0005	.0003	+.0003	-.0007	-.0015
Q14	.00025	.0002	+.0002	-.0005	-.001

# 303 STAINLESS STEEL	2024-T4-ALUMINUM ANODIZED BEFORE CUTTING	GEAR DATA		
Cat. No.	Cat. No.	No. of Teeth	Pitch Diameter	Outside Diameter
*LBS-D2-14	*LBA-D2-14	14	.4375	.500
LBS-D2-15	LBA-D2-15	15	.4688	.531
LBS-D2-16	LBA-D2-16	16	.5000	.563
LBS-D2-17	LBA-D2-17	17	.5313	.594
LBS-D2-18	LBA-D2-18	18	.5625	.625
LBS-D2-19	LBA-D2-19	19	.5938	.656
LBS-D2-20	LBA-D2-20	20	.6250	.688
LBS-D2-22	LBA-D2-22	22	.6875	.750
LBS-D2-24	LBA-D2-24	24	.7500	.813
LBS-D2-26	LBA-D2-26	26	.8125	.875
LBS-D2-28	LBA-D2-28	28	.8750	.938
LBS-D2-30	LBA-D2-30	30	.9375	1.000
LBS-D2-32	LBA-D2-32	32	1.0000	1.063
LBS-D2-36	LBA-D2-36	36	1.1250	1.188
LBS-D2-40	LBA-D2-40	40	1.2500	1.313
LBS-D2-48	LBA-D2-48	48	1.5000	1.563
LBS-D2-56	LBA-D2-56	56	1.7500	1.813
LBS-D2-64	LBA-D2-64	64	2.0000	2.063
LBS-D2-72	LBA-D2-72	72	2.2500	2.313
LBS-D2-80	LBA-D2-80	80	2.5000	2.563
LBS-D2-88	LBA-D2-88	88	2.7500	2.813
LBS-D2-96	LBA-D2-96	96	3.0000	3.063
LBS-D2-112	LBA-D2-112	112	3.5000	3.563
LBS-D2-127	LBA-D2-127	127	3.9688	4.031
LBS-D2-128	LBA-D2-128	128	4.0000	4.063
LBS-D2-132	LBA-D2-132	132	4.1250	4.188

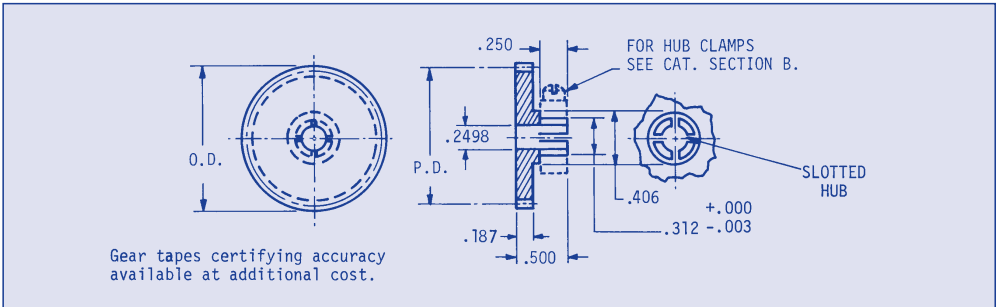
* Gear hob cuts into 3/8ths hub.

The number of teeth shown does not reflect our entire stock - unlisted teeth supplied at modest additional cost. 14 1/2° pressure angle, special bores and materials - price on application.

SPUR GEARS-SPLIT HUB

20° PRESSURE ANGLE

32 PITCH
3/16 FACE
1/4 BORE



Specifications: Unless otherwise stated, quality #10 or better gears will be supplied. When ordering Q12 or Q14 please supply the catalog number and add Q12 or Q14

Gear Class	Total Composite Tolerance	Tooth to Tooth Composite Tolerance	Bore	Pitch Dia.	Outside Dia.
Q10	.001	.0004	+ .0005	-.001	-.002
Q12	.0005	.0003	+ .0003	-.0007	-.0015
Q14	.00025	.0002	+ .0002	-.0005	-.001

# 303 STAINLESS STEEL	2024-T4-ALUMINUM ANODIZED BEFORE CUTTING	GEAR DATA		
Cat. No.	Cat. No.	No. of Teeth	Pitch Diameter	Outside Diameter
LBS-D3-20	LBA-D3-20	20	.6250	.688
LBS-D3-21	LBA-D3-21	21	.6563	.719
LBS-D3-22	LBA-D3-22	22	.6875	.750
LBS-D3-23	LBA-D3-23	23	.7188	.781
LBS-D3-24	LBA-D3-24	24	.7500	.813
LBS-D3-25	LBA-D3-25	25	.7813	.844
LBS-D3-26	LBA-D3-26	26	.8125	.875
LBS-D3-28	LBA-D3-28	28	.8750	.938
LBS-D3-30	LBA-D3-30	30	.9375	1.000
LBS-D3-32	LBA-D3-32	32	1.0000	1.063
LBS-D3-34	LBA-D3-34	34	1.0625	1.125
LBS-D3-36	LBA-D3-36	36	1.1250	1.188
LBS-D3-38	LBA-D3-38	38	1.1875	1.250
LBS-D3-40	LBA-D3-40	40	1.2500	1.313
LBS-D3-44	LBA-D3-44	44	1.3750	1.438
LBS-D3-48	LBA-D3-48	48	1.5000	1.563
LBS-D3-52	LBA-D3-52	52	1.6250	1.688
LBS-D3-56	LBA-D3-56	56	1.7500	1.813
LBS-D3-60	LBA-D3-60	60	1.8750	1.938
LBS-D3-64	LBA-D3-64	64	2.0000	2.063
LBS-D3-68	LBA-D3-68	68	2.1250	2.188
LBS-D3-72	LBA-D3-72	72	2.2500	2.313
LBS-D3-76	LBA-D3-76	76	2.3750	2.438
LBS-D3-80	LBA-D3-80	80	2.5000	2.563
LBS-D3-90	LBA-D3-90	90	2.8125	2.875
LBS-D3-96	LBA-D3-96	96	3.0000	3.063
LBS-D3-112	LBA-D3-112	112	3.5000	3.563
LBS-D3-120	LBA-D3-120	120	3.7500	3.813
LBS-D3-128	LBA-D3-128	128	4.0000	4.063
LBS-D3-132	LBA-D3-132	132	4.1250	4.188

51L (800) 243-0986
In CT (203) 775-4877

NORDEX