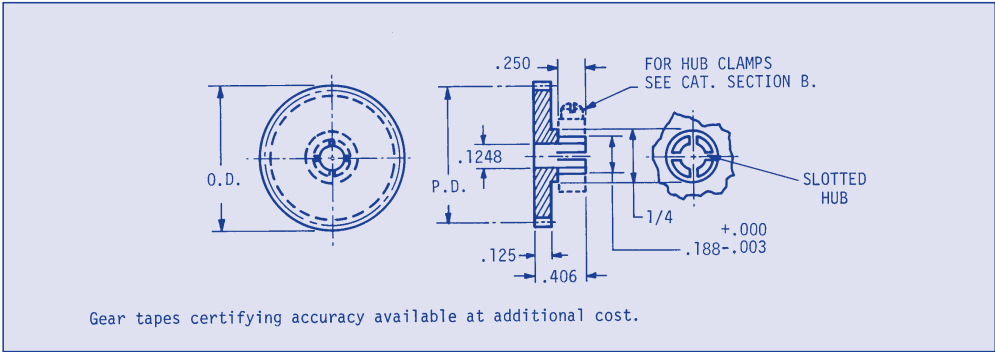


SPUR GEARS-SPLIT HUB

20° PRESSURE ANGLE

**24 PITCH
1/8 FACE
1/8 BORE**



Specifications: Unless otherwise stated, quality #10 or better gears will be supplied. When ordering Q12 or Q14 please supply the catalog number and add Q12 or Q14

Gear Class	Total Composite Tolerance	Tooth to Tooth Composite Tolerance	Bore	Pitch Dia.	Outside Dia.
Q10	.001	.0004	+ .0005	- .001	- .002
Q12	.0005	.0003	+ .0003	- .0007	- .0015
Q14	.00025	.0002	+ .0002	- .0005	- .001

ORDER BY CATALOG NUMBER

# 303 STAINLESS STEEL	2024-T4 ALUMINUM ANODIZED BEFORE CUTTING	GEAR DATA		
Cat. No.	Cat. No.	No. of Teeth	Pitch Diameter	Outside Diameter
LBS-C1-10	LBA-C1-10	10	.4167	.5000
LBS-C1-11	LBA-C1-11	11	.4583	.5418
LBS-C1-12	LBA-C1-12	12	.5000	.5830
LBS-C1-13	LBA-C1-13	13	.5418	.6250
LBS-C1-14	LBA-C1-14	14	.5833	.6680
LBS-C1-15	LBA-C1-15	15	.6250	.7080
LBS-C1-16	LBA-C1-16	16	.6667	.7500
LBS-C1-17	LBA-C1-17	17	.7083	.7920
LBS-C1-18	LBA-C1-18	18	.7500	.8330
LBS-C1-19	LBA-C1-19	19	.7917	.8750
LBS-C1-20	LBA-C1-20	20	.8333	.9170
LBS-C1-21	LBA-C1-21	21	.8750	.9580
LBS-C1-22	LBA-C1-22	22	.9167	1.0000
LBS-C1-23	LBA-C1-23	23	.9583	1.0420
LBS-C1-24	LBA-C1-24	24	1.0000	1.0830
LBS-C1-27	LBA-C1-27	27	1.1250	1.2083
LBS-C1-30	LBA-C1-30	30	1.2500	1.3330
LBS-C1-33	LBA-C1-33	33	1.3750	1.4580
LBS-C1-36	LBA-C1-36	36	1.5000	1.5830
LBS-C1-39	LBA-C1-39	39	1.6250	1.7080
LBS-C1-42	LBA-C1-42	42	1.7500	1.8330
LBS-C1-45	LBA-C1-45	45	1.8750	1.9580

Split hub gears are designed to clamp to the shaft thereby permitting synchronization with other elements.

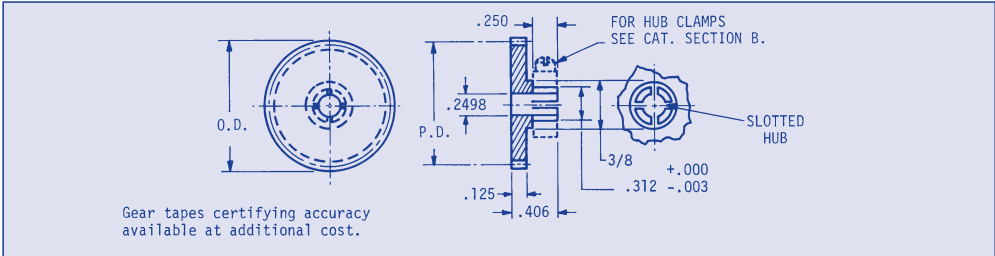
47L (800) 243-0986
In CT (203) 775-4877

NORDEX

SPUR GEARS-SPLIT HUB

20° PRESSURE ANGLE

**24 PITCH
1/8 FACE
1/4 BORE**



Specifications: Unless otherwise stated, quality #10 or better gears will be supplied. When ordering Q12 or Q14 please supply the catalog number and add Q12 or Q14

Gear Class	Total Composite Tolerance	Tooth to Tooth Composite Tolerance	Bore	Pitch Dia.	Outside Dia.
Q10	.001	.0004	+ .0005	- .001	- .002
Q12	.0005	.0003	+ .0003	- .0007	- .0015
Q14	.00025	.0002	+ .0002	- .0005	- .001

# 303 STAINLESS STEEL	2024-T4-ALUMINUM ANODIZED BEFORE CUTTING	GEAR DATA		
Cat. No.	Cat. No.	No. of Teeth	Pitch Diameter	Outside Diameter
LBS-C2-12	LBA-C2-12	12	.5000	.583
LBS-C2-14	LBA-C2-14	14	.5833	.668
LBS-C2-15	LBA-C2-15	15	.6250	.708
LBS-C2-16	LBA-C2-16	16	.6667	.750
LBS-C2-17	LBA-C2-17	17	.7083	.792
LBS-C2-18	LBA-C2-18	18	.7500	.833
LBS-C2-20	LBA-C2-20	20	.8333	.917
LBS-C2-21	LBA-C2-21	21	.8750	.958
LBS-C2-22	LBA-C2-22	22	.9167	1.000
LBS-C2-23	LBA-C2-23	23	.9583	1.042
LBS-C2-24	LBA-C2-24	24	1.0000	1.083
LBS-C2-27	LBA-C2-27	27	1.1250	1.208
LBS-C2-30	LBA-C2-30	30	1.2500	1.333
LBS-C2-33	LBA-C2-33	33	1.3750	1.458
LBS-C2-36	LBA-C2-36	36	1.5000	1.583
LBS-C2-42	LBA-C2-42	42	1.7500	1.833
LBS-C2-45	LBA-C2-45	45	1.8750	1.958
LBS-C2-48	LBA-C2-48	48	2.0000	2.083
LBS-C2-54	LBA-C2-54	54	2.2500	2.333
LBS-C2-60	LBA-C2-60	60	2.5000	2.583
LBS-C2-63	LBA-C2-63	63	2.6250	2.708
LBS-C2-66	LBA-C2-66	66	2.7500	2.833
LBS-C2-72	LBA-C2-72	72	3.0000	3.083
LBS-C2-75	LBA-C2-75	75	3.1250	3.208
LBS-C2-81	LBA-C2-81	81	3.3750	3.458
LBS-C2-84	LBA-C2-84	84	3.5000	3.583
LBS-C2-90	LBA-C2-90	90	3.7500	3.833
LBS-C2-93	LBA-C2-93	93	3.8750	3.958
LBS-C2-96	LBA-C2-96	96	4.0000	4.083
LBS-C2-99	LBA-C2-99	99	4.1250	4.208