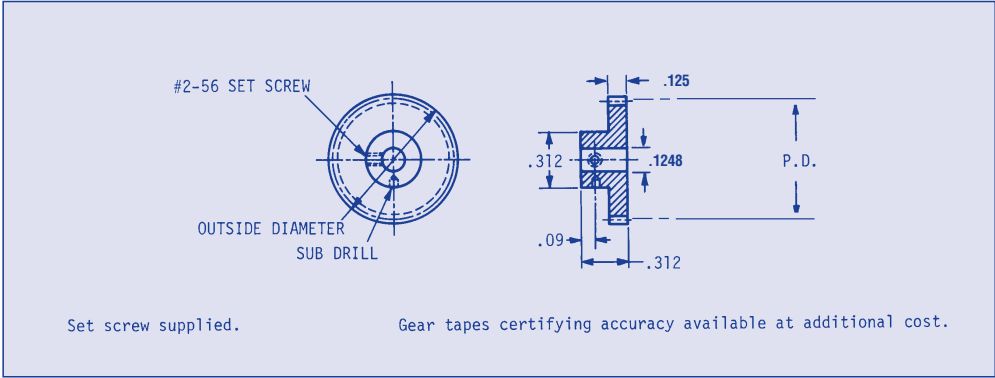


SPUR GEARS-PIN HUB

20° PRESSURE ANGLE

**72 PITCH
1/8 FACE
1/8 BORE**



Specifications: Unless otherwise stated, quality #10 or better gears will be supplied. When ordering Q12 or Q14 please supply the catalog number and add Q12 or Q14

Gear Class	Total Composite Tolerance	Tooth to Tooth Composite Tolerance	Bore	Pitch Dia.	Outside Dia.
Q10	.001	.0004	+ .0005	- .001	- .002
Q12	.0005	.0003	+ .0003	- .0007	- .0015
Q14	.00025	.0002	+ .0002	- .0005	- .001

ORDER BY CATALOG NUMBER

# 303 STAINLESS STEEL	2024-T4-ALUMINUM ANODIZED BEFORE CUTTING	GEAR DATA		
Cat. No.	Cat. No.	No. of Teeth	Pitch Diameter	Outside Diameter
*LAS-G1-20	*LAA-G1-20	20	.2777	.306
*LAS-G1-22	*LAA-G1-22	22	.3055	.333
*LAS-G1-24	*LAA-G1-24	24	.3333	.361
LAS-G1-26	LAA-G1-26	26	.3610	.389
LAS-G1-27	LAA-G1-27	27	.3750	.403
LAS-G1-28	LAA-G1-28	28	.3888	.417
LAS-G1-30	LAA-G1-30	30	.4166	.444
LAS-G1-32	LAA-G1-32	32	.4444	.472
LAS-G1-34	LAA-G1-34	34	.4722	.500
LAS-G1-36	LAA-G1-36	36	.5000	.528
LAS-G1-38	LAA-G1-38	38	.5277	.556
LAS-G1-40	LAA-G1-40	40	.5555	.583
LAS-G1-42	LAA-G1-42	42	.5833	.611
LAS-G1-44	LAA-G1-44	44	.6111	.639
LAS-G1-45	LAA-G1-45	45	.6250	.653

* Gear hob cuts into hub.

SPUR GEARS-PIN HUB CONTINUED

20° PRESSURE ANGLE

**72 PITCH
1/8 FACE
1/8 BORE**

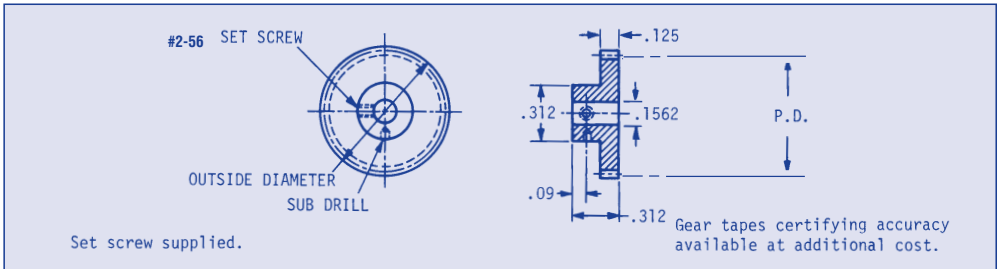
ORDER BY CATALOG NUMBER

# 303 STAINLESS STEEL	2024-T4-ALUMINUM ANODIZED BEFORE CUTTING	GEAR DATA		
Cat. No.	Cat. No.	No. of Teeth	Pitch Diameter	Outside Diameter
LAS-G1-46	LAA-G1-46	46	.6388	.667
LAS-G1-48	LAA-G1-48	48	.6666	.694
LAS-G1-50	LAA-G1-50	50	.6944	.722
LAS-G1-54	LAA-G1-54	54	.7500	.778
LAS-G1-55	LAA-G1-55	55	.7638	.792
LAS-G1-56	LAA-G1-56	56	.7777	.806
LAS-G1-60	LAA-G1-60	60	.8333	.861
LAS-G1-63	LAA-G1-63	63	.8750	.903
LAS-G1-64	LAA-G1-64	64	.8888	.917
LAS-G1-70	LAA-G1-70	70	.9722	1.000
LAS-G1-72	LAA-G1-72	72	1.0000	1.028
LAS-G1-75	LAA-G1-75	75	1.0416	1.069
LAS-G1-80	LAA-G1-80	80	1.1111	1.139
LAS-G1-81	LAA-G1-81	81	1.1250	1.153
LAS-G1-84	LAA-G1-84	84	1.1666	1.194
LAS-G1-85	LAA-G1-85	85	1.1805	1.208
LAS-G1-90	LAA-G1-90	90	1.2500	1.278
LAS-G1-92	LAA-G1-92	92	1.2777	1.306
LAS-G1-95	LAA-G1-95	95	1.3194	1.347
LAS-G1-96	LAA-G1-96	96	1.3333	1.361
LAS-G1-99	LAA-G1-99	99	1.3750	1.403
LAS-G1-100	LAA-G1-100	100	1.3888	1.417
LAS-G1-105	LAA-G1-105	105	1.4583	1.486
LAS-G1-108	LAA-G1-108	108	1.5000	1.528
LAS-G1-110	LAA-G1-110	110	1.5277	1.556
LAS-G1-117	LAA-G1-117	117	1.6249	1.653
LAS-G1-120	LAA-G1-120	120	1.6666	1.694
LAS-G1-126	LAA-G1-126	126	1.7499	1.778
LAS-G1-127	LAA-G1-127	127	1.7638	1.792
LAS-G1-130	LAA-G1-130	130	1.8055	1.833
LAS-G1-135	LAA-G1-135	135	1.8749	1.903
LAS-G1-140	LAA-G1-140	140	1.9444	1.972
LAS-G1-144	LAA-G1-144	144	2.0000	2.028
LAS-G1-150	LAA-G1-150	150	2.0833	2.111
LAS-G1-153	LAA-G1-153	153	2.1249	2.153

SPUR GEARS-PIN HUB

20° PRESSURE ANGLE

72 PITCH
1/8 FACE
5/32 BORE



Specifications: Unless otherwise stated, quality #10 or better gears will be supplied. When ordering Q12 or Q14 please supply the catalog number and add Q12 or Q14

Gear Class	Total Composite Tolerance	Tooth to Tooth Composite Tolerance	Bore	Pitch Dia.	Outside Dia.
Q10	.001	.0004	+ .0005	- .001	- .002
Q12	.0005	.0003	+ .0003	- .0007	- .0015
Q14	.00025	.0002	+ .0002	- .0005	- .001

# 303 STAINLESS STEEL		2024-T4-ALUMINUM ANODIZED BEFORE CUTTING		GEAR DATA	
Cat. No.	Cat. No.	No. of Teeth	Pitch Diameter	Outside Diameter	
*LAS-G2-20	*LAA-G2-20	20	.2777	.306	
*LAS-G2-24	*LAA-G2-24	24	.3333	.361	
LAS-G2-30	LAA-G2-30	30	.4166	.444	
LAS-G2-36	LAA-G2-36	36	.5000	.528	
LAS-G2-40	LAA-G2-40	40	.5555	.583	
LAS-G2-45	LAA-G2-45	45	.6250	.653	
LAS-G2-48	LAA-G2-48	48	.6666	.694	
LAS-G2-50	LAA-G2-50	50	.6944	.722	
LAS-G2-55	LAA-G2-55	55	.7638	.792	
LAS-G2-60	LAA-G2-60	60	.8333	.861	
LAS-G2-70	LAA-G2-70	70	.9722	1.000	
LAS-G2-72	LAA-G2-72	72	1.0000	1.028	
LAS-G2-75	LAA-G2-75	75	1.0416	1.069	
LAS-G2-80	LAA-G2-80	80	1.1111	1.139	
LAS-G2-84	LAA-G2-84	84	1.1666	1.194	
LAS-G2-85	LAA-G2-85	85	1.1805	1.208	
LAS-G2-90	LAA-G2-90	90	1.2500	1.278	
LAS-G2-95	LAA-G2-95	95	1.3194	1.347	
LAS-G2-100	LAA-G2-100	100	1.3888	1.417	
LAS-G2-105	LAA-G2-105	105	1.4583	1.486	
LAS-G2-110	LAA-G2-110	110	1.5277	1.556	
LAS-G2-120	LAA-G2-120	120	1.6666	1.694	
LAS-G2-126	LAA-G2-126	126	1.7499	1.778	
LAS-G2-130	LAA-G2-130	130	1.8055	1.833	
LAS-G2-135	LAA-G2-135	135	1.8749	1.903	
LAS-G2-140	LAA-G2-140	140	1.9444	1.972	
LAS-G2-150	LAA-G2-150	150	2.0833	2.111	

* Gear hob cuts into hub

The number of teeth shown does not reflect our entire stock, unlisted teeth supplied at modest additional cost. 14 1/2° pressure angle, special bores and materials - price on application.

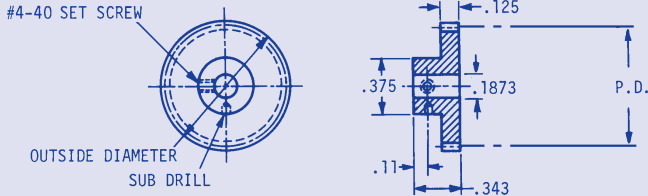
31L (800) 243-0986
In CT (203) 775-4877

NORDEX

SPUR GEARS-PIN HUB

20° PRESSURE ANGLE

72 PITCH
1/8 FACE
3/16 BORE



Set screw supplied.

Gear tapes certifying accuracy available at additional cost.

Specifications: Unless otherwise stated, quality #10 or better gears will be supplied. When ordering Q12 or Q14 please supply the catalog number and add Q12 or Q14

Gear Class	Total Composite Tolerance	Tooth to Tooth Composite Tolerance	Bore	Pitch Dia.	Outside Dia.
Q10	.001	.0004	+ .0005	- .001	- .002
Q12	.0005	.0003	+ .0003	- .0007	- .0015
Q14	.00025	.0002	+ .0002	- .0005	- .001

# 303 STAINLESS STEEL	2024-T4-ALUMINUM ANODIZED BEFORE CUTTING	GEAR DATA		
Cat. No.	Cat. No.	No. of Teeth	Pitch Diameter	Outside Diameter
*LAS-G3-24	*LAA-G3-24	24	.3333	.361
*LAS-G3-26	*LAA-G3-26	26	.3610	.389
*LAS-G3-27	*LAA-G3-27	27	.3750	.403
*LAS-G3-28	*LAA-G3-28	28	.3888	.417
LAS-G3-30	LAA-G3-30	30	.4166	.444
LAS-G3-32	LAA-G3-32	32	.4444	.472
LAS-G3-34	LAA-G3-34	34	.4722	.500
LAS-G3-36	LAA-G3-36	36	.5000	.528
LAS-G3-38	LAA-G3-38	38	.5277	.556
LAS-G3-40	LAA-G3-40	40	.5555	.583
LAS-G3-42	LAA-G3-42	42	.5833	.611
LAS-G3-44	LAA-G3-44	44	.6111	.639
LAS-G3-45	LAA-G3-45	45	.6250	.653
LAS-G3-46	LAA-G3-46	46	.6388	.667
LAS-G3-48	LAA-G3-48	48	.6666	.694
LAS-G3-50	LAA-G3-50	50	.6944	.722
LAS-G3-54	LAA-G3-54	54	.7500	.778
LAS-G3-55	LAA-G3-55	55	.7638	.792
LAS-G3-56	LAA-G3-56	56	.7777	.806
LAS-G3-60	LAA-G3-60	60	.8333	.861
LAS-G3-63	LAA-G3-63	63	.8750	.903
LAS-G3-64	LAA-G3-64	64	.8888	.917
LAS-G3-70	LAA-G3-70	70	.9722	1.000
LAS-G3-72	LAA-G3-72	72	1.0000	1.028
LAS-G3-75	LAA-G3-75	75	1.0416	1.069
LAS-G3-80	LAA-G3-80	80	1.1111	1.139
LAS-G3-81	LAA-G3-81	81	1.1250	1.153
LAS-G3-84	LAA-G3-84	84	1.1666	1.194
LAS-G3-85	LAA-G3-85	85	1.1805	1.208
LAS-G3-90	LAA-G3-90	90	1.2500	1.278

NORDEX

* Gear hob cuts into hub.

(800) 243-0986
In CT (203) 775-4877

32L

SPUR GEARS-PIN HUB CONTINUED

20° PRESSURE ANGLE

**72 PITCH
1/8 FACE
3/16 BORE**

ORDER BY CATALOG NUMBER

# 303 STAINLESS STEEL	2024-T4-ALUMINUM ANODIZED BEFORE CUTTING	GEAR DATA		
Cat. No.	Cat. No.	No. of Teeth	Pitch Diameter	Outside Diameter
LAS-G3-92	LAA-G3-92	92	1.2777	1.306
LAS-G3-95	LAA-G3-95	95	1.3194	1.347
LAS-G3-96	LAA-G3-96	96	1.3333	1.361
LAS-G3-99	LAA-G3-99	99	1.3750	1.403
LAS-G3-100	LAA-G3-100	100	1.3888	1.417
LAS-G3-105	LAA-G3-105	105	1.4583	1.486
LAS-G3-108	LAA-G3-108	108	1.5000	1.528
LAS-G3-110	LAA-G3-110	110	1.5277	1.556
LAS-G3-117	LAA-G3-117	117	1.6249	1.653
LAS-G3-120	LAA-G3-120	120	1.6666	1.694
LAS-G3-126	LAA-G3-126	126	1.7499	1.778
LAS-G3-127	LAA-G3-127	127	1.7638	1.792
LAS-G3-130	LAA-G3-130	130	1.8055	1.833
LAS-G3-135	LAA-G3-135	135	1.8749	1.903
LAS-G3-140	LAA-G3-140	140	1.9444	1.972
LAS-G3-144	LAA-G3-144	144	2.0000	2.028
LAS-G3-150	LAA-G3-150	150	1.0833	2.111
LAS-G3-153	LAA-G3-153	153	2.1249	2.153
LAS-G3-160	LAA-G3-160	160	2.2222	2.250
LAS-G3-162	LAA-G3-162	162	2.2499	2.278
LAS-G3-180	LAA-G3-180	180	2.5000	2.528
LAS-G3-198	LAA-G3-198	198	2.7499	2.778
LAS-G3-216	LAA-G3-216	216	3.0000	3.028

L The number of teeth shown does not reflect our entire stock, unlisted teeth, supplied at modest additional cost. 14 1/2° pressure angle, special bores and materials - prices on application. Discounts available depending on quantity.

FOR YOUR INFORMATION...

2024-T4 Aluminum has a yield tensile strength of 47,000 lbs. per square inch and a modulus of elasticity of 10.6 X 10⁶ lbs. per square inch.

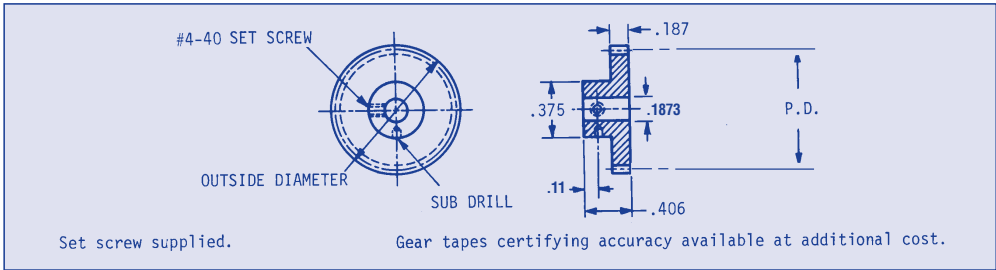
303 Stainless steel has a yield tensile strength of 35,000 to 50,000lbs. per square inch and a modulus of elasticity of 28 X 10⁶ lbs. per square inch.

It appears that in terms of tensile strength, aluminum and stainless steel are comparable. However, the stainless is approximately 2.6 times as stiff or rigid. 303 stainless steel has a hardness of 80 - 90 Rb and 2024-T4 is approximately 60 Rb.

SPUR GEARS-PIN HUB

20° PRESSURE ANGLE

**72 PITCH
3/16 FACE
3/16 BORE**



Specifications: Unless otherwise stated, quality #10 or better gears will be supplied. When ordering Q12 or Q14 please supply the catalog number and add Q12 or Q14

Gear Class	Total Composite Tolerance	Tooth to Tooth Composite Tolerance	Bore	Pitch Dia.	Outside Dia.
Q10	.001	.0004	+ .0005	- .001	- .002
Q12	.0005	.0003	+ .0003	- .0007	- .0015
Q14	.00025	.0002	+ .0002	- .0005	- .001

ORDER BY CATALOG NUMBER

# 303 STAINLESS STEEL	2024-T4-ALUMINUM ANODIZED BEFORE CUTTING	GEAR DATA		
Cat. No.	Cat. No.	No. of Teeth	Pitch Diameter	Outside Diameter
*LAS-G4-24	*LAA-G4-24	24	.3333	.361
*LAS-G4-26	*LAA-G4-26	26	.3610	.389
*LAS-G4-27	*LAA-G4-27	27	.3750	.403
*LAS-G4-28	*LAA-G4-28	28	.3888	.417
LAS-G4-30	LAA-G4-30	30	.4166	.444
LAS-G4-32	LAA-G4-32	32	.4444	.472
LAS-G4-34	LAA-G4-34	34	.4722	.500
LAS-G4-36	LAA-G4-36	36	.5000	.528
LAS-G4-38	LAA-G4-38	38	.5277	.556
LAS-G4-40	LAA-G4-40	40	.5555	.583
LAS-G4-42	LAA-G4-42	42	.5833	.611
LAS-G4-44	LAA-G4-44	44	.6111	.639
LAS-G4-45	LAA-G4-45	45	.6250	.653
LAS-G4-46	LAA-G4-46	46	.6388	.667
LAS-G4-48	LAA-G4-48	48	.6666	.694
LAS-G4-50	LAA-G4-50	50	.6944	.722
LAS-G4-54	LAA-G4-54	54	.7500	.778
LAS-G4-55	LAA-G4-55	55	.7638	.792
LAS-G4-56	LAA-G4-56	56	.7777	.806
LAS-G4-60	LAA-G4-60	60	.8333	.861

* Gear hob cuts into hub

SPUR GEARS-PIN HUB CONTINUED

20° PRESSURE ANGLE

**72 PITCH
3/16 FACE
3/16 BORE**

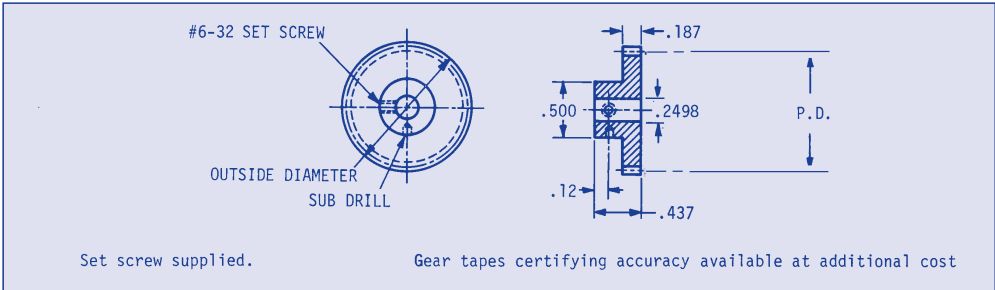
ORDER BY CATALOG NUMBER

# 303 STAINLESS STEEL	2024-T4-ALUMINUM ANODIZED BEFORE CUTTING	GEAR DATA		
Cat. No.	Cat. No.	No. of Teeth	Pitch Diameter	Outside Diameter
LAS-G4-63	LAA-G4-63	63	.8750	.903
LAS-G4-64	LAA-G4-64	64	.8888	.917
LAS-G4-70	LAA-G4-70	70	.9722	1.000
LAS-G4-72	LAA-G4-72	72	1.0000	1.028
LAS-G4-75	LAA-G4-75	75	1.0416	1.069
LAS-G4-80	LAA-G4-80	80	1.1111	1.139
LAS-G4-81	LAA-G4-81	81	1.1250	1.153
LAS-G4-84	LAA-G4-84	84	1.1666	1.194
LAS-G4-85	LAA-G4-85	85	1.1805	1.208
LAS-G4-90	LAA-G4-90	90	1.2500	1.278
LAS-G4-92	LAA-G4-92	92	1.2777	1.306
LAS-G4-95	LAA-G4-95	95	1.3194	1.347
LAS-G4-96	LAA-G4-96	96	1.3333	1.361
LAS-G4-99	LAA-G4-99	99	1.3750	1.403
LAS-G4-100	LAA-G4-100	100	1.3888	1.417
LAS-G4-105	LAA-G4-105	105	1.4583	1.486
LAS-G4-108	LAA-G4-108	108	1.5000	1.528
LAS-G4-110	LAA-G4-110	110	1.5277	1.556
LAS-G4-117	LAA-G4-117	117	1.6249	1.653
LAS-G4-120	LAA-G4-120	120	1.6666	1.694
LAS-G4-126	LAA-G4-126	126	1.7499	1.778
LAS-G4-127	LAA-G4-127	127	1.7638	1.792
LAS-G4-130	LAA-G4-130	130	1.8055	1.833
LAS-G4-135	LAA-G4-135	135	1.8749	1.903
LAS-G4-140	LAA-G4-140	140	1.9444	1.972
LAS-G4-144	LAA-G4-144	144	2.0000	2.028
LAS-G4-150	LAA-G4-150	150	2.0833	2.111
LAS-G4-153	LAA-G4-153	153	2.1249	2.153
LAS-G4-160	LAA-G4-160	160	2.2222	2.250
LAS-G4-162	LAA-G4-162	162	2.2499	2.278
LAS-G4-180	LAA-G4-180	180	2.5000	2.528
LAS-G4-198	LAA-G4-198	198	2.7499	2.778
LAS-G4-216	LAA-G4-216	216	3.0000	3.028
LAS-G4-234	LAA-G4-234	234	3.2500	3.278
LAS-G4-252	LAA-G4-252	252	3.5000	3.528
LAS-G4-270	LAA-G4-270	270	3.7500	3.778
LAS-G4-288	LAA-G4-288	288	4.0000	4.028

SPUR GEARS-PIN HUB

20° PRESSURE ANGLE

**72 PITCH
3/16 FACE
1/4 BORE**



Specifications: Unless otherwise stated, quality #10 or better gears will be supplied. When ordering Q12 or Q14 please supply the catalog number and add Q12 or Q14

Gear Class	Total Composite Tolerance	Tooth to Tooth Composite Tolerance	Bore	Pitch Dia.	Outside Dia.
Q10	.001	.0004	+ .0005	- .001	- .002
Q12	.0005	.0003	+ .0003	- .0007	- .0015
Q14	.00025	.0002	+ .0002	- .0005	- .001

# 303 STAINLESS STEEL		2024-T4-ALUMINUM ANODIZED BEFORE CUTTING		GEAR DATA	
Cat. No.	Cat. No.	No. of Teeth	Pitch Diameter	Outside Diameter	
*LAS-G6-30	*LAA-G6-30	30	.4166	.444	
*LAS-G6-32	*LAA-G6-32	32	.4444	.472	
*LAS-G6-36	*LAA-G6-36	36	.5000	.528	
LAS-G6-40	LAA-G6-40	40	.5555	.583	
LAS-G6-42	LAA-G6-42	42	.5833	.611	
LAS-G6-44	LAA-G6-44	44	.6111	.639	
LAS-G6-45	LAA-G6-45	45	.6250	.653	
LAS-G6-48	LAA-G6-48	48	.6666	.694	
LAS-G6-50	LAA-G6-50	50	.6944	.722	
LAS-G6-54	LAA-G6-54	54	.7500	.778	
LAS-G6-55	LAA-G6-55	55	.7638	.792	
LAS-G6-56	LAA-G6-56	56	.7777	.806	
LAS-G6-64	LAA-G6-64	64	.8888	.917	
LAS-G6-70	LAA-G6-70	70	.9722	1.000	
LAS-G6-72	LAA-G6-72	72	1.0000	1.028	
LAS-G6-75	LAA-G6-75	75	1.0416	1.069	
LAS-G6-80	LAA-G6-80	80	1.1111	1.139	
LAS-G6-84	LAA-G6-84	84	1.1667	1.194	
LAS-G6-85	LAA-G6-85	85	1.1805	1.208	
LAS-G6-90	LAA-G6-90	90	1.2500	1.278	
LAS-G6-92	LAA-G6-92	92	1.2777	1.306	
LAS-G6-95	LAA-G6-95	95	1.3194	1.347	
LAS-G6-100	LAA-G6-100	100	1.3888	1.417	
LAS-G6-105	LAA-G6-105	105	1.4583	1.486	
LAS-G6-110	LAA-G6-110	110	1.5277	1.556	
LAS-G6-120	LAA-G6-120	120	1.6666	1.694	
LAS-G6-130	LAA-G6-130	130	1.8055	1.833	
LAS-G6-140	LAA-G6-140	140	1.9444	1.972	
LAS-G6-150	LAA-G6-150	150	2.0833	2.111	