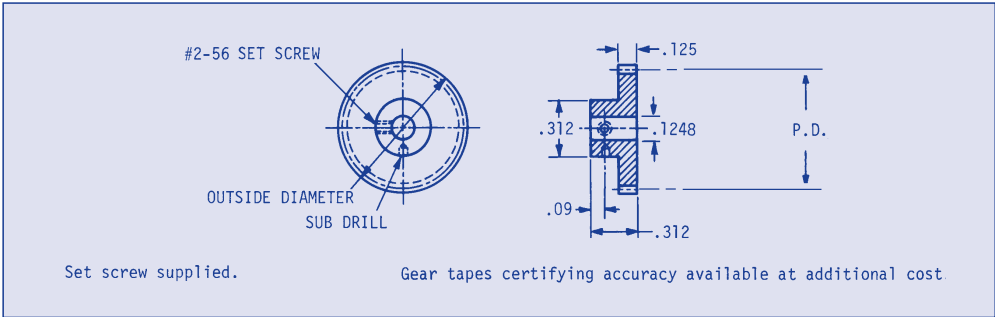


# SPUR GEARS-PIN HUB

20° PRESSURE ANGLE

**64 PITCH  
1/8 FACE  
1/8 BORE**



**Specifications:** Unless otherwise stated, quality #10 or better gears will be supplied. When ordering Q12 or Q14 please supply the catalog number and add Q12 or Q14

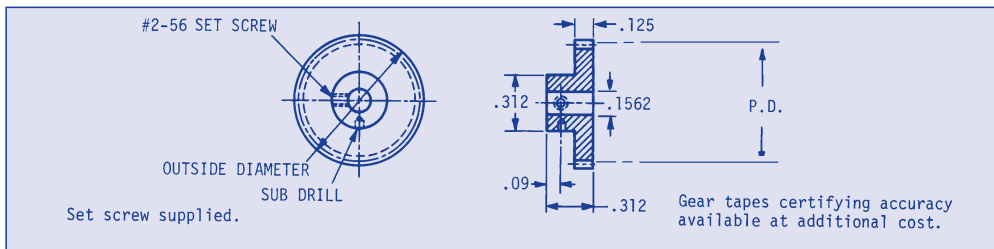
Gear Class	Total Composite Tolerance	Tooth to Tooth Composite Tolerance	Bore	Pitch Dia.	Outside Dia.
Q10	.001	.0004	+ .0005	- .001	- .002
Q12	.0005	.0003	+ .0003	- .0007	- .0015
Q14	.00025	.0002	+ .0002	- .0005	- .001

# 303 STAINLESS STEEL	2024-T4-ALUMINUM ANODIZED BEFORE CUTTING	GEAR DATA		
Cat. No.	Cat. No.	No. of Teeth	Pitch Diameter	Outside Diameter
LAS-F1-23	LAA-F1-23	23	.3593	.391
LAS-F1-24	LAA-F1-24	24	.3750	.406
LAS-F1-26	LAA-F1-26	26	.4062	.438
LAS-F1-27	LAA-F1-27	27	.4218	.453
LAS-F1-28	LAA-F1-28	28	.4375	.469
LAS-F1-29	LAA-F1-29	29	.4531	.484
LAS-F1-30	LAA-F1-30	30	.4687	.500
LAS-F1-32	LAA-F1-32	32	.5000	.531
LAS-F1-34	LAA-F1-34	34	.5312	.563
LAS-F1-36	LAA-F1-36	36	.5625	.594
LAS-F1-38	LAA-F1-38	38	.5937	.625
LAS-F1-42	LAA-F1-42	42	.6562	.688
LAS-F1-44	LAA-F1-44	44	.6875	.719
LAS-F1-48	LAA-F1-48	48	.7500	.781
LAS-F1-50	LAA-F1-50	50	.7812	.813
LAS-F1-56	LAA-F1-56	56	.8750	.906
LAS-F1-60	LAA-F1-60	60	.9375	.969
LAS-F1-65	LAA-F1-65	65	1.0156	1.047
LAS-F1-72	LAA-F1-72	72	1.1250	1.156
LAS-F1-75	LAA-F1-75	75	1.1718	1.203
LAS-F1-80	LAA-F1-80	80	1.2500	1.281
LAS-F1-92	LAA-F1-92	92	1.4375	1.469
LAS-F1-95	LAA-F1-95	95	1.4843	1.516
LAS-F1-104	LAA-F1-104	104	1.6250	1.656
LAS-F1-128	LAA-F1-128	128	2.0000	2.031

# SPUR GEARS-PIN HUB

20° PRESSURE ANGLE

64 PITCH  
1/8 FACE  
5/32 BORE



**Specifications:** Unless otherwise stated, quality #10 or better gears will be supplied. When ordering Q12 or Q14 please supply the catalog number and add Q12 or Q14

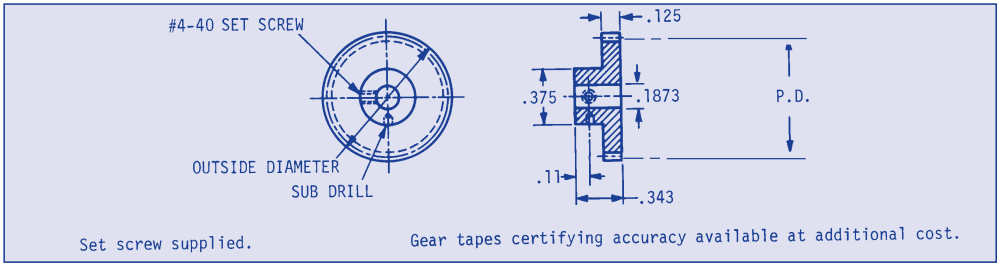
Gear Class	Total Composite Tolerance	Tooth to Tooth Composite Tolerance	Bore	Pitch Dia.	Outside Dia.
Q10	.001	.0004	+ .0005	- .001	- .002
Q12	.0005	.0003	+ .0003	- .0007	- .0015
Q14	.00025	.0002	+ .0002	- .0005	- .001

# 303 STAINLESS STEEL	2024-T4-ALUMINUM ANODIZED BEFORE CUTTING	GEAR DATA		
Cat. No.	Cat. No.	No. of Teeth	Pitch Diameter	Outside Diameter
LAS-F2-23	LAA-F2-23	23	.3593	.391
LAS-F2-24	LAA-F2-24	24	.3750	.406
LAS-F2-25	LAA-F2-25	25	.3906	.422
LAS-F2-26	LAA-F2-26	26	.4062	.438
LAS-F2-27	LAA-F2-27	27	.4218	.453
LAS-F2-28	LAA-F2-28	28	.4375	.469
LAS-F2-29	LAA-F2-29	29	.4531	.484
LAS-F2-30	LAA-F2-30	30	.4687	.500
LAS-F2-32	LAA-F2-32	32	.5000	.531
LAS-F2-34	LAA-F2-34	34	.5312	.563
LAS-F2-36	LAA-F2-36	36	.5625	.594
LAS-F2-38	LAA-F2-38	38	.5937	.625
LAS-F2-40	LAA-F2-40	40	.6250	.656
LAS-F2-42	LAA-F2-42	42	.6562	.688
LAS-F2-44	LAA-F2-44	44	.6875	.719
LAS-F2-46	LAA-F2-46	46	.7187	.750
LAS-F2-48	LAA-F2-48	48	.7500	.781
LAS-F2-56	LAA-F2-56	56	.8750	.906
LAS-F2-60	LAA-F2-60	60	.9375	.969
LAS-F2-64	LAA-F2-64	64	1.0000	1.031
LAS-F2-72	LAA-F2-72	72	1.1250	1.156
LAS-F2-80	LAA-F2-80	80	1.2500	1.281
LAS-F2-84	LAA-F2-84	84	1.3125	1.344
LAS-F2-88	LAA-F2-88	88	1.3750	1.406
LAS-F2-92	LAA-F2-92	92	1.4375	1.469
LAS-F2-96	LAA-F2-96	96	1.5000	1.531
LAS-F2-100	LAA-F2-100	100	1.5625	1.594
LAS-F2-104	LAA-F2-104	104	1.6250	1.656
LAS-F2-112	LAA-F2-112	112	1.7500	1.781
LAS-F2-120	LAA-F2-120	120	1.8750	1.906
LAS-F2-128	LAA-F2-128	128	2.0000	2.031

# SPUR GEARS-PIN HUB

20° PRESSURE ANGLE

64 PITCH  
1/8 FACE  
3/16 BORE



**Specifications:** Unless otherwise stated, quality #10 or better gears will be supplied. When ordering Q12 or Q14 please supply the catalog number and add Q12 or Q14

Gear Class	Total Composite Tolerance	Tooth to Tooth Composite Tolerance	Bore	Pitch Dia.	Outside Dia.
Q10	.001	.0004	+ .0005	- .001	- .002
Q12	.0005	.0003	+ .0003	- .0007	- .0015
Q14	.00025	.0002	+ .0002	- .0005	- .001

# 303 STAINLESS STEEL		2024-T4-ALUMINUM ANODIZED BEFORE CUTTING		GEAR DATA	
Cat. No.	Cat. No.	No. of Teeth	Pitch Diameter	Outside Diameter	
LAS-F3-27	LAA-F3-27	27	.4218	.453	
LAS-F3-28	LAA-F3-28	28	.4375	.469	
LAS-F3-29	LAA-F3-29	29	.4531	.484	
LAS-F3-30	LAA-F3-30	30	.4687	.500	
LAS-F3-32	LAA-F3-32	32	.5000	.531	
LAS-F3-34	LAA-F3-34	34	.5312	.563	
LAS-F3-36	LAA-F3-36	36	.5625	.594	
LAS-F3-40	LAA-F3-40	40	.6250	.656	
LAS-F3-42	LAA-F3-42	42	.6562	.688	
LAS-F3-44	LAA-F3-44	44	.6875	.719	
LAS-F3-46	LAA-F3-46	46	.7187	.750	
LAS-F3-48	LAA-F3-48	48	.7500	.781	
LAS-F3-50	LAA-F3-50	50	.7812	.813	
LAS-F3-55	LAA-F3-55	55	.8593	.891	
LAS-F3-60	LAA-F3-60	60	.9375	.969	
LAS-F3-65	LAA-F3-65	65	1.0156	1.047	
LAS-F3-70	LAA-F3-70	70	1.0937	1.125	
LAS-F3-72	LAA-F3-72	72	1.1250	1.156	
LAS-F3-80	LAA-F3-80	80	1.2500	1.281	
LAS-F3-85	LAA-F3-85	85	1.3281	1.359	
LAS-F3-90	LAA-F3-90	90	1.4062	1.438	
LAS-F3-92	LAA-F3-92	92	1.4375	1.469	
LAS-F3-95	LAA-F3-95	95	1.4843	1.516	
LAS-F3-100	LAA-F3-100	100	1.5625	1.594	
LAS-F3-105	LAA-F3-105	105	1.6406	1.672	
LAS-F3-112	LAA-F3-112	112	1.7500	1.781	
LAS-F3-120	LAA-F3-120	120	1.8750	1.906	
LAS-F3-160	LAA-F3-160	160	2.5000	2.531	
LAS-F3-184	LAA-F3-184	184	2.8750	2.906	
LAS-F3-200	LAA-F3-200	200	3.1250	3.156	

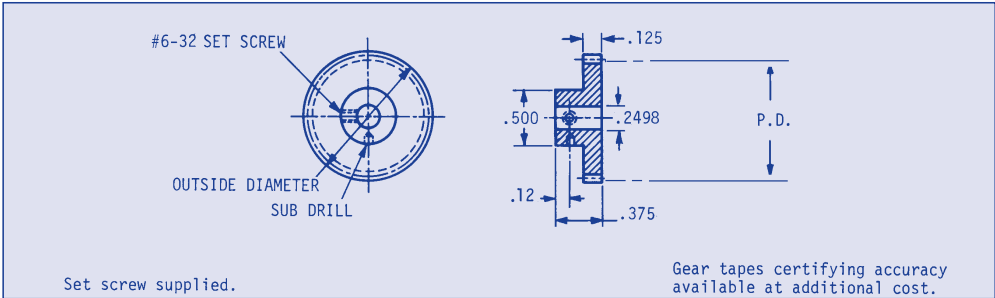
NORDEX

(800) 243-0986 24L  
In CT (203) 775-4877

# SPUR GEARS-PIN HUB

20° PRESSURE ANGLE

**64 PITCH  
1/8 FACE  
1/4 BORE**



**Specifications:** Unless otherwise stated, quality #10 or better gears will be supplied. When ordering Q12 or Q14 please supply the catalog number and add Q12 or Q14

Gear Class	Total Composite Tolerance	Tooth to Tooth Composite Tolerance	Bore	Pitch Dia.	Outside Dia.
Q10	.001	.0004	+ .0005	-.001	-.002
Q12	.0005	.0003	+ .0003	-.0007	-.0015
Q14	.00025	.0002	+ .0002	-.0005	-.001

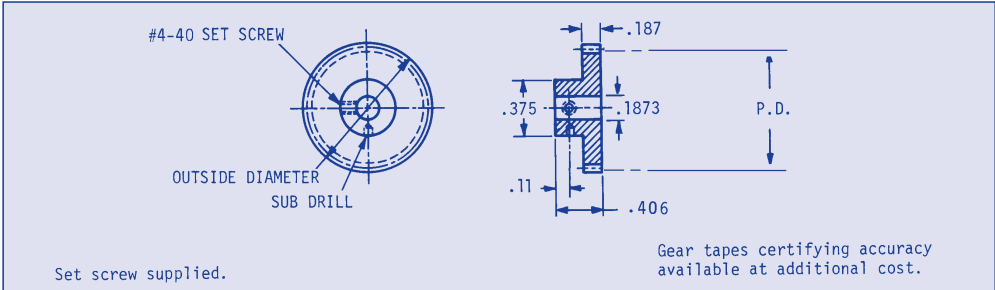
# 303 STAINLESS STEEL	2024-T4-ALUMINUM ANODIZED BEFORE CUTTING	GEAR DATA		
Cat. No.	Cat. No.	No. of Teeth	Pitch Diameter	Outside Diameter
LAS-F4-36	LAA-F4-36	36	.5625	.594
LAS-F4-40	LAA-F4-40	40	.6250	.656
LAS-F4-42	LAA-F4-42	42	.6562	.688
LAS-F4-46	LAA-F4-46	46	.7187	.750
LAS-F4-48	LAA-F4-48	48	.7500	.781
LAS-F4-60	LAA-F4-60	60	.9375	.969
LAS-F4-64	LAA-F4-64	64	1.0000	1.031
LAS-F4-70	LAA-F4-70	70	1.0937	1.125
LAS-F4-72	LAA-F4-72	72	1.1250	1.156
LAS-F4-84	LAA-F4-84	84	1.3125	1.344
LAS-F4-88	LAA-F4-88	88	1.3750	1.406
LAS-F4-90	LAA-F4-90	90	1.4062	1.438
LAS-F4-100	LAA-F4-100	100	1.5625	1.594
LAS-F4-112	LAA-F4-112	112	1.7500	1.781
LAS-F4-120	LAA-F4-120	120	1.8750	1.906
LAS-F4-136	LAA-F4-136	136	2.1250	2.156
LAS-F4-144	LAA-F4-144	144	2.2500	2.281
LAS-F4-160	LAA-F4-160	160	2.5000	2.531
LAS-F4-168	LAA-F4-168	168	2.6250	2.656
LAS-F4-184	LAA-F4-184	184	2.8750	2.906
LAS-F4-192	LAA-F4-192	192	3.0000	3.031
LAS-F4-200	LAA-F4-200	200	3.1250	3.156
LAS-F4-216	LAA-F4-216	216	3.3750	3.406
LAS-F4-240	LAA-F4-240	240	3.7500	3.781
LAS-F4-264	LAA-F4-264	264	4.1250	4.156

The number of teeth shown does not reflect our entire stock, unlisted teeth supplied at modest additional cost. 14 1/2° pressure angle, special bores and materials - price on application.

# SPUR GEARS-PIN HUB

20° PRESSURE ANGLE

**64 PITCH  
3/16 FACE  
3/16 BORE**



**Specifications:** Unless otherwise stated, quality #10 or better gears will be supplied. When ordering Q12 or Q14 please supply the catalog number and add Q12 or Q14

Gear Class	Total Composite Tolerance	Tooth to Tooth Composite Tolerance	Bore	Pitch Dia.	Outside Dia.
Q10	.001	.0004	+ .0005	- .001	- .002
Q12	.0005	.0003	+ .0003	- .0007	- .0015
Q14	.00025	.0002	+ .0002	- .0005	- .001

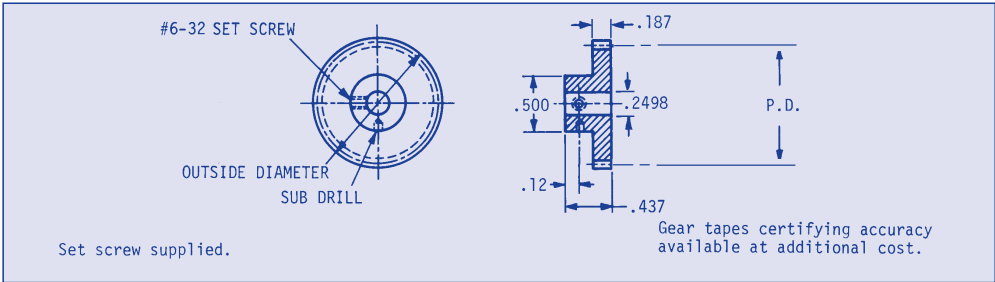
# 303 STAINLESS STEEL	2024-T4 ALUMINUM ANODIZED BEFORE CUTTING	GEAR DATA			
Cat. No.	Cat. No.	No. of Teeth	Pitch Diameter	Outside Diameter	
LAS-F5-28	LAA-F5-28	28	.4375	.469	
LAS-F5-29	LAA-F5-29	29	.4531	.484	
LAS-F5-30	LAA-F5-30	30	.4687	.500	
LAS-F5-36	LAA-F5-36	36	.5625	.594	
LAS-F5-42	LAA-F5-42	42	.6562	.688	
LAS-F5-44	LAA-F5-44	44	.6875	.719	
LAS-F5-50	LAA-F5-50	50	.7812	.813	
LAS-F5-56	LAA-F5-56	56	.8750	.906	
LAS-F5-64	LAA-F5-64	64	1.0000	1.031	
LAS-F5-65	LAA-F5-65	65	1.0156	1.047	
LAS-F5-70	LAA-F5-70	70	1.0937	1.125	
LAS-F5-72	LAA-F5-72	72	1.1250	1.156	
LAS-F5-84	LAA-F5-84	84	1.3125	1.344	
LAS-F5-85	LAA-F5-85	85	1.3281	1.359	
LAS-F5-92	LAA-F5-92	92	1.4375	1.469	
LAS-F5-100	LAA-F5-100	100	1.5625	1.593	
LAS-F5-105	LAA-F5-105	105	1.6406	1.672	
LAS-F5-112	LAA-F5-112	112	1.7500	1.781	
LAS-F5-120	LAA-F5-120	120	1.8750	1.906	
LAS-F5-127	LAA-F5-127	127	1.9843	2.016	
LAS-F5-128	LAA-F5-128	128	2.0000	2.031	
LAS-F5-160	LAA-F5-160	160	2.5000	2.531	
LAS-F5-168	LAA-F5-168	168	2.6250	2.656	
LAS-F5-184	LAA-F5-184	184	2.8750	2.906	
LAS-F5-224	LAA-F5-224	224	3.5000	3.531	

The number of teeth shown does not reflect our entire stock, unlisted teeth supplied at modest additional cost. 14 1/2° pressure angle, special bores and materials - price on application.

# SPUR GEARS-PIN HUB

20° PRESSURE ANGLE

**64 PITCH  
3/16 FACE  
1/4 BORE**



**Specifications:** Unless otherwise stated, quality #10 or better gears will be supplied. When ordering Q12 or Q14 please supply the catalog number and add Q12 or Q14

Gear Class	Total Composite Tolerance	Tooth to Tooth Composite Tolerance	Bore	Pitch Dia.	Outside Dia.
Q10	.001	.0004	+ .0005	- .001	- .002
Q12	.0005	.0003	+ .0003	- .0007	- .0015
Q14	.00025	.0002	+ .0002	- .0005	- .001

# 303 STAINLESS STEEL	2024-T4-ALUMINUM ANODIZED BEFORE CUTTING	GEAR DATA		
Cat. No.	Cat. No.	No. of Teeth	Pitch Diameter	Outside Diameter
*LAS-F7-26	*LAA-F7-26	26	.4062	.438
*LAS-F7-27	*LAA-F7-27	27	.4218	.453
*LAS-F7-28	*LAA-F7-28	28	.4375	.469
*LAS-F7-29	*LAA-F7-29	29	.4531	.484
*LAS-F7-30	*LAA-F7-30	30	.4687	.500
*LAS-F7-32	*LAA-F7-32	32	.5000	.531
*LAS-F7-34	*LAA-F7-34	34	.5312	.563
LAS-F7-36	LAA-F7-36	36	.5625	.594
LAS-F7-38	LAA-F7-38	38	.5937	.625
LAS-F7-40	LAA-F7-40	40	.6250	.656
LAS-F7-42	LAA-F7-42	42	.6562	.688
LAS-F7-44	LAA-F7-44	44	.6875	.719
LAS-F7-46	LAA-F7-46	46	.7187	.750
LAS-F7-48	LAA-F7-48	48	.7500	.781
LAS-F7-50	LAA-F7-50	50	.7812	.813
LAS-F7-55	LAA-F7-55	55	.8593	.891
LAS-F7-56	LAA-F7-56	56	.8750	.906
LAS-F7-60	LAA-F7-60	60	.9375	.969
LAS-F7-64	LAA-F7-64	64	1.0000	1.031
LAS-F7-65	LAA-F7-65	65	1.0156	1.047

\* Gear hob cuts into hub.

# SPUR GEARS-PIN HUB CONTINUED

20° PRESSURE ANGLE

**64 PITCH  
3/16 FACE  
1/4 BORE**

ORDER BY CATALOG NUMBER

# 303 STAINLESS STEEL	2024-T4-ALUMINUM ANODIZED BEFORE CUTTING	GEAR DATA		
Cat. No.	Cat. No.	No. of Teeth	Pitch Diameter	Outside Diameter
LAS-F7-70	LAA-F7-70	70	1.0937	1.125
LAS-F7-72	LAA-F7-72	72	1.1250	1.156
LAS-F7-75	LAA-F7-75	75	1.1718	1.203
LAS-F7-80	LAA-F7-80	80	1.2500	1.281
LAS-F7-84	LAA-F7-84	84	1.3125	1.344
LAS-F7-85	LAA-F7-85	85	1.3281	1.359
LAS-F7-88	LAA-F7-88	88	1.3750	1.406
LAS-F7-90	LAA-F7-90	90	1.4062	1.438
LAS-F7-92	LAA-F7-92	92	1.4375	1.469
LAS-F7-95	LAA-F7-95	95	1.4843	1.516
LAS-F7-96	LAA-F7-96	96	1.5000	1.531
LAS-F7-100	LAA-F7-100	100	1.5625	1.594
LAS-F7-104	LAA-F7-104	104	1.6250	1.656
LAS-F7-105	LAA-F7-105	105	1.6406	1.672
LAS-F7-112	LAA-F7-112	112	1.7500	1.781
LAS-F7-120	LAA-F7-120	120	1.8750	1.906
LAS-F7-127	LAA-F7-127	127	1.9843	2.016
LAS-F7-128	LAA-F7-128	128	2.0000	2.031
LAS-F7-136	LAA-F7-136	136	2.1250	2.156
LAS-F7-144	LAA-F7-144	144	2.2500	2.281
LAS-F7-152	LAA-F7-152	152	2.3750	2.406
LAS-F7-160	LAA-F7-160	160	2.5000	2.531
LAS-F7-168	LAA-F7-168	168	2.6250	2.656
LAS-F7-176	LAA-F7-176	176	2.7500	2.781
LAS-F7-184	LAA-F7-184	184	2.8750	2.906
LAS-F7-192	LAA-F7-192	192	3.0000	3.031
LAS-F7-200	LAA-F7-200	200	3.1250	3.156
LAS-F7-208	LAA-F7-208	208	3.2500	3.281
LAS-F7-216	LAA-F7-216	216	3.3750	3.406
LAS-F7-224	LAA-F7-224	224	3.5000	3.531
LAS-F7-232	LAA-F7-232	232	3.6250	3.656
LAS-F7-240	LAA-F7-240	240	3.7500	3.781
LAS-F7-248	LAA-F7-248	248	3.8750	3.906
LAS-F7-256	LAA-F7-256	256	4.0000	4.031
LAS-F7-264	LAA-F7-264	264	4.1250	4.156