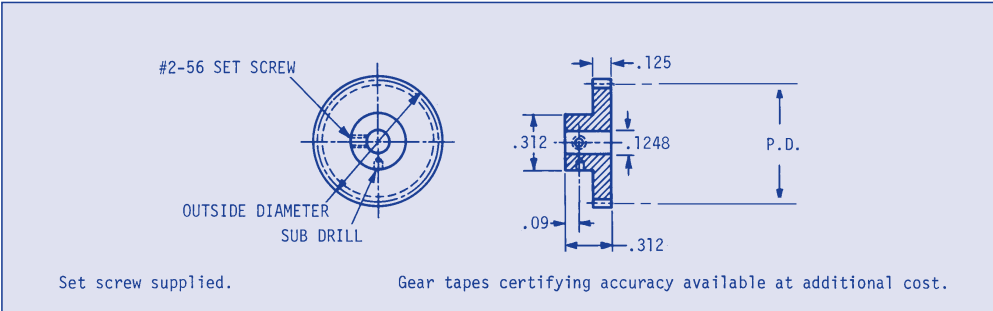


# SPUR GEARS-PIN HUB

20° PRESSURE ANGLE

**48 PITCH  
1/8 FACE  
1/8 BORE**



**Specifications:** Unless otherwise stated, quality #10 or better gears will be supplied. When ordering Q12 or Q14 please supply the catalog number and add Q12 or Q14

Gear Class	Total Composite Tolerance	Tooth to Tooth Composite Tolerance	Bore	Pitch Dia.	Outside Dia.
Q10	.001	.0004	+ .0005	- .001	- .002
Q12	.0005	.0003	+ .0003	-.0007	-.0015
Q14	.00025	.0002	+ .0002	-.0005	-.001

# 303 STAINLESS STEEL		2024-T4-ALUMINUM ANODIZED BEFORE CUTTING		GEAR DATA	
Cat. No.	Cat. No.	No. of Teeth	Pitch Diameter	Outside Diameter	
LAS-E1-18	LAA-E1-18	18	.3750	.417	
LAS-E1-19	LAA-E1-19	19	.3958	.438	
LAS-E1-20	LAA-E1-20	20	.4167	.458	
LAS-E1-22	LAA-E1-22	22	.4583	.500	
LAS-E1-25	LAA-E1-25	25	.5208	.563	
LAS-E1-28	LAA-E1-28	28	.5833	.625	
LAS-E1-30	LAA-E1-30	30	.6250	.667	
LAS-E1-32	LAA-E1-32	32	.6666	.709	
LAS-E1-36	LAA-E1-36	36	.7500	.792	
LAS-E1-38	LAA-E1-38	38	.7916	.833	
LAS-E1-40	LAA-E1-40	40	.8333	.875	
LAS-E1-44	LAA-E1-44	44	.9166	.958	
LAS-E1-46	LAA-E1-46	46	.9583	1.000	
LAS-E1-48	LAA-E1-48	48	1.0000	1.042	
LAS-E1-50	LAA-E1-50	50	1.0416	1.083	
LAS-E1-55	LAA-E1-55	55	1.1458	1.187	
LAS-E1-56	LAA-E1-56	56	1.1666	1.208	
LAS-E1-60	LAA-E1-60	60	1.2500	1.292	
LAS-E1-64	LAA-E1-64	64	1.3333	1.375	
LAS-E1-70	LAA-E1-70	70	1.4583	1.500	
LAS-E1-72	LAA-E1-72	72	1.5000	1.542	
LAS-E1-75	LAA-E1-75	75	1.5625	1.604	
LAS-E1-80	LAA-E1-80	80	1.6666	1.708	
LAS-E1-96	LAA-E1-96	96	2.0000	2.042	
LAS-E1-100	LAA-E1-100	100	2.0833	2.125	

The number of teeth shown does not reflect our entire stock, unlisted teeth supplied at modest additional cost. 14 1/2° pressure angle, special bores and materials - price on application. Discounts available depending on quantity

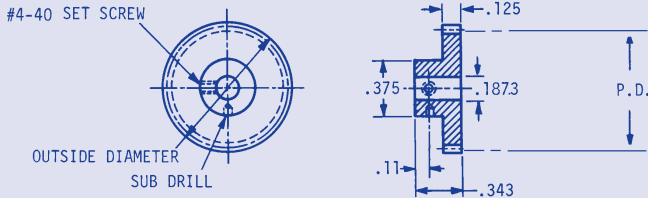
**NORDEX**

**(800) 243-0986 16L**  
In CT (203) 775-4877

# SPUR GEARS-PIN HUB

20° PRESSURE ANGLE

48 PITCH  
1/8 FACE  
3/16 BORE



Set screw supplied.

Gear tapes certifying accuracy available at additional cost.

**Specifications:** Unless otherwise stated, quality #10 or better gears will be supplied. When ordering Q12 or Q14 please supply the catalog number and add Q12 or Q14

Gear Class	Total Composite Tolerance	Tooth to Tooth Composite Tolerance	Bore	Pitch Dia.	Outside Dia.
Q10	.001	.0004	+ .0005	- .001	- .002
Q12	.0005	.0003	+ .0003	- .0007	- .0015
Q14	.00025	.0002	+ .0002	- .0005	- .001

# 303 STAINLESS STEEL	2024-T4-ALUMINUM ANODIZED BEFORE CUTTING	GEAR DATA		
Cat. No.	Cat. No.	No. of Teeth	Pitch Diameter	Outside Diameter
LAS-E2-22	LAA-E2-22	22	.4583	.500
LAS-E2-23	LAA-E2-23	23	.4791	.521
LAS-E2-24	LAA-E2-24	24	.5000	.542
LAS-E2-27	LAA-E2-27	27	.5625	.604
LAS-E2-29	LAA-E2-29	29	.6041	.646
LAS-E2-30	LAA-E2-30	30	.6250	.667
LAS-E2-36	LAA-E2-36	36	.7500	.792
LAS-E2-40	LAA-E2-40	40	.8333	.875
LAS-E2-42	LAA-E2-42	42	.8750	.917
LAS-E2-44	LAA-E2-44	44	.9166	.958
LAS-E2-46	LAA-E2-46	46	.9583	1.000
LAS-E2-48	LAA-E2-48	48	1.0000	1.042
LAS-E2-50	LAA-E2-50	50	1.0416	1.083
LAS-E2-55	LAA-E2-55	55	1.1458	1.188
LAS-E2-56	LAA-E2-56	56	1.1666	1.208
LAS-E2-60	LAA-E2-60	60	1.2500	1.292
LAS-E2-65	LAA-E2-65	65	1.3541	1.396
LAS-E2-70	LAA-E2-70	70	1.4583	1.500
LAS-E2-72	LAA-E2-72	72	1.5000	1.542
LAS-E2-84	LAA-E2-84	84	1.7500	1.792
LAS-E2-90	LAA-E2-90	90	1.8750	1.917
LAS-E2-96	LAA-E2-96	96	2.0000	2.042
LAS-E2-100	LAA-E2-100	100	2.0833	2.125
LAS-E2-110	LAA-E2-110	110	2.2916	2.333
LAS-E2-120	LAA-E2-120	120	2.5000	2.542

The number of teeth shown does not reflect our entire stock, unlisted teeth supplied at modest additional cost. 14 1/2° pressure angle, special bores and materials - price on application.

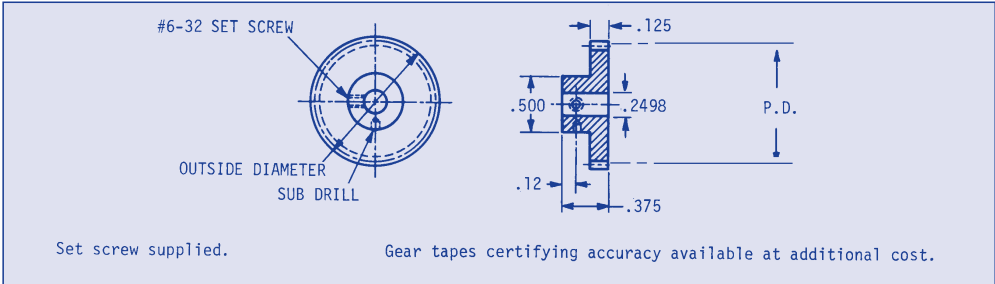
17L (800) 243-0986  
In CT (203) 775-4877

NORDEX

# SPUR GEARS-PIN HUB

20° PRESSURE ANGLE

**48 PITCH  
1/8 FACE  
1/4 BORE**



**Specifications:** Unless otherwise stated, quality #10 or better gears will be supplied. When ordering Q12 or Q14 please supply the catalog number and add Q12 or Q14

Gear Class	Total Composite Tolerance	Tooth to Tooth Composite Tolerance	Bore	Pitch Dia.	Outside Dia.
Q10	.001	.0004	+ .0005	- .001	- .002
Q12	.0005	.0003	+ .0003	- .0007	- .0015
Q14	.00025	.0002	+ .0002	- .0005	- .001

# 303 STAINLESS STEEL	2024-T4 ALUMINUM ANODIZED BEFORE CUTTING	GEAR DATA		
Cat. No.	Cat. No.	No. of Teeth	Pitch Diameter	Outside Diameter
*LAS-E3-24	*LAA-E3-24	24	.5000	.542
LAS-E3-27	LAA-E3-27	27	.5625	.604
LAS-E3-28	LAA-E3-28	28	.5833	.625
LAS-E3-30	LAA-E3-30	30	.6250	.667
LAS-E3-36	LAA-E3-36	36	.7500	.792
LAS-E3-40	LAA-E3-40	40	.8333	.875
LAS-E3-42	LAA-E3-42	42	.8750	.917
LAS-E3-48	LAA-E3-48	48	1.0000	1.042
LAS-E3-56	LAA-E3-56	56	1.1666	1.208
LAS-E3-60	LAA-E3-60	60	1.2500	1.292
LAS-E3-70	LAA-E3-70	70	1.4583	1.500
LAS-E3-72	LAA-E3-72	72	1.5000	1.542
LAS-E3-75	LAA-E3-75	75	1.5625	1.604
LAS-E3-84	LAA-E3-84	84	1.7500	1.792
LAS-E3-90	LAA-E3-90	90	1.8750	1.917
LAS-E3-96	LAA-E3-96	96	2.0000	2.042
LAS-E3-105	LAA-E3-105	105	2.1875	2.229
LAS-E3-108	LAA-E3-108	108	2.2500	2.292
LAS-E3-120	LAA-E3-120	120	2.5000	2.542
LAS-E3-132	LAA-E3-132	132	2.7500	2.792
LAS-E3-144	LAA-E3-144	144	3.0000	3.042
LAS-E3-150	LAA-E3-150	150	3.1250	3.167
LAS-E3-168	LAA-E3-168	168	3.5000	3.542
LAS-E3-180	LAA-E3-180	180	3.7500	3.792
LAS-E3-192	LAA-E3-192	192	4.0000	4.042

\* Gear hobs cut into hub.

The number of teeth shown does not reflect our entire stock, unlisted teeth supplied at modest additional cost. 14 1/2° pressure angle, special bores and materials - price on application.

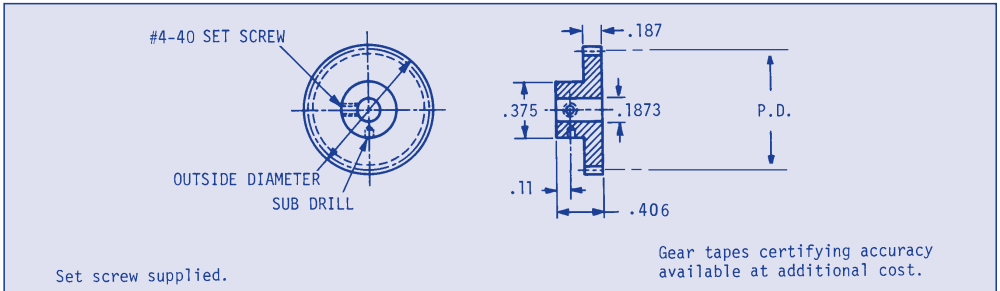
**NORDEX**

**(800) 243-0986 18L**  
In CT (203) 775-4877

# SPUR GEARS-PIN HUB

20° PRESSURE ANGLE

48 PITCH  
3/16 FACE  
3/16 BORE



**Specifications:** Unless otherwise stated, quality #10 or better gears will be supplied. When ordering Q12 or Q14 please supply the catalog number and add Q12 or Q14

Gear Class	Total Composite Tolerance	Tooth to Tooth Composite Tolerance	Bore	Pitch Dia.	Outside Dia.
Q10	.001	.0004	+ .0005	- .001	- .002
Q12	.0005	.0003	+ .0003	- .0007	- .0015
Q14	.00025	.0002	+ .0002	- .0005	- .001

# 303 STAINLESS STEEL	2024-T4-ALUMINUM ANODIZED BEFORE CUTTING	GEAR DATA		
Cat. No.	Cat. No.	No. of Teeth	Pitch Diameter	Outside Diameter
*LAS-E4-20	*LAA-E4-20	20	.4167	.458
LAS-E4-22	LAA-E4-22	22	.4583	.500
LAS-E4-23	LAA-E4-23	23	.4791	.521
LAS-E4-25	LAA-E4-25	25	.5208	.562
LAS-E4-30	LAA-E4-30	30	.6250	.667
LAS-E4-40	LAA-E4-40	40	.8333	.875
LAS-E4-44	LAA-E4-44	44	.9166	.958
LAS-E4-46	LAA-E4-46	46	.9583	1.000
LAS-E4-50	LAA-E4-50	50	1.0416	1.083
LAS-E4-55	LAA-E4-55	55	1.1458	1.187
LAS-E4-60	LAA-E4-60	60	1.2500	1.292
LAS-E4-65	LAA-E4-65	65	1.3541	1.396
LAS-E4-70	LAA-E4-70	70	1.4583	1.500
LAS-E4-80	LAA-E4-80	80	1.6666	1.708
LAS-E4-85	LAA-E4-85	85	1.7708	1.812
LAS-E4-90	LAA-E4-90	90	1.8750	1.917
LAS-E4-95	LAA-E4-95	95	1.9791	2.021
LAS-E4-100	LAA-E4-100	100	2.0833	2.125
LAS-E4-105	LAA-E4-105	105	2.1875	2.229
LAS-E4-110	LAA-E4-110	110	2.2916	2.333
LAS-E4-115	LAA-E4-115	115	2.3958	2.437
LAS-E4-120	LAA-E4-120	120	2.5000	2.542
LAS-E4-132	LAA-E4-132	132	2.7500	2.792
LAS-E4-150	LAA-E4-150	150	3.1250	3.167
LAS-E4-180	LAA-E4-180	180	3.7500	3.792

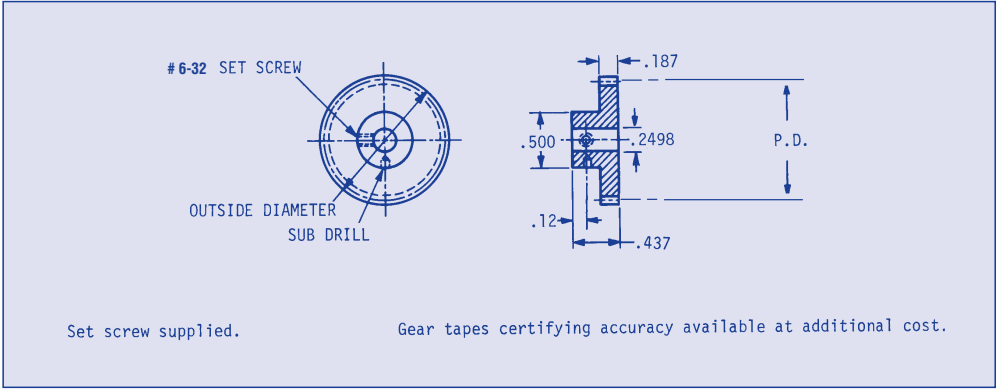
\* Gear hobs cut into hub.

The number of teeth shown does not reflect our entire stock, unlisted teeth supplied at modest additional cost. 14 1/2° pressure angle, special bores and materials - price on application.

# SPUR GEARS-PIN HUB

20° PRESSURE ANGLE

48 PITCH  
3/16 FACE  
1/4 BORE



**Specifications:** Unless otherwise stated, quality #10 or better gears will be supplied. When ordering Q12 or Q14 please supply the catalog number and add Q12 or Q14

Gear Class	Total Composite Tolerance	Tooth to Tooth Composite Tolerance	Bore	Pitch Dia.	Outside Dia.
Q10	.001	.0004	+ .0005	- .001	- .002
Q12	.0005	.0003	+ .0003	- .0007	- .0015
Q14	.00025	.0002	+ .0002	- .0005	- .001

## ORDER BY CATALOG NUMBER

# 303 STAINLESS STEEL	2024-T4-ALUMINUM ANODIZED BEFORE CUTTING	GEAR DATA		
Cat. No.	Cat. No.	No. of Teeth	Pitch Diameter	Outside Diameter
*LAS-E5-24	*LAA-E5-24	24	.5000	.542
*LAS-E5-25	*LAA-E5-25	25	.5208	.563
*LAS-E5-26	*LAA-E5-26	26	.5416	.583
LAS-E5-27	LAA-E5-27	27	.5625	.604
LAS-E5-28	LAA-E5-28	28	.5833	.625
LAS-E5-29	LAA-E5-29	29	.6041	.646
LAS-E5-30	LAA-E5-30	30	.6250	.667
LAS-E5-32	LAA-E5-32	32	.6666	.708
LAS-E5-34	LAA-E5-34	34	.7083	.750
LAS-E5-36	LAA-E5-36	36	.7500	.792
LAS-E5-38	LAA-E5-38	38	.7916	.833
LAS-E5-40	LAA-E5-40	40	.8333	.875
LAS-E5-42	LAA-E5-42	42	.8750	.917
LAS-E5-44	LAA-E5-44	44	.9166	.958
LAS-E5-46	LAA-E5-46	46	.9583	1.000

\* Gear hob cuts into hub. - For gear segments and other modifications please inquire for price.

**NORDEX**

**(800) 243-0986 20L**  
In CT (203) 775-4877

# SPUR GEARS-PIN HUB CONTINUED

**48 PITCH  
3/16 FACE  
1/4 BORE**

20° PRESSURE ANGLE

ORDER BY CATALOG NUMBER

# 303 STAINLESS STEEL	2024-T4-ALUMINUM ANODIZED BEFORE CUTTING	GEAR DATA		
Cat. No.	Cat. No.	No. of Teeth	Pitch Diameter	Outside Diameter
LAS-E5-48	LAA-E5-48	48	1.0000	1.042
LAS-E5-50	LAA-E5-50	50	1.0416	1.083
LAS-E5-55	LAA-E5-55	55	1.1458	1.188
LAS-E5-56	LAA-E5-56	56	1.1666	1.208
LAS-E5-60	LAA-E5-60	60	1.2500	1.292
LAS-E5-64	LAA-E5-64	64	1.3333	1.375
LAS-E5-65	LAA-E5-65	65	1.3541	1.396
LAS-E5-70	LAA-E5-70	70	1.4583	1.500
LAS-E5-72	LAA-E5-72	72	1.5000	1.542
LAS-E5-75	LAA-E5-75	75	1.5625	1.604
LAS-E5-80	LAA-E5-80	80	1.6666	1.708
LAS-E5-84	LAA-E5-84	84	1.7500	1.792
LAS-E5-85	LAA-E5-85	85	1.7708	1.813
LAS-E5-90	LAA-E5-90	90	1.8750	1.917
LAS-E5-92	LAA-E5-92	92	1.9166	1.958
LAS-E5-95	LAA-E5-95	95	1.9791	2.021
LAS-E5-96	LAA-E5-96	96	2.0000	2.042
LAS-E5-100	LAA-E5-100	100	2.0833	2.125
LAS-E5-102	LAA-E5-102	102	2.1250	2.167
LAS-E5-105	LAA-E5-105	105	2.1875	2.229
LAS-E5-108	LAA-E5-108	108	2.2500	2.292
LAS-E5-110	LAA-E5-110	110	2.2916	2.333
LAS-E5-115	LAA-E5-115	115	2.3958	2.438
LAS-E5-120	LAA-E5-120	120	2.5000	2.542
LAS-E5-126	LAA-E5-126	126	2.6250	2.667
LAS-E5-127	LAA-E5-127	127	2.6458	2.688
LAS-E5-132	LAA-E5-132	132	2.7500	2.792
LAS-E5-138	LAA-E5-138	138	2.8750	2.917
LAS-E5-144	LAA-E5-144	144	3.0000	3.042
LAS-E5-150	LAA-E5-150	150	3.1250	3.167
LAS-E5-156	LAA-E5-156	156	3.2500	3.292
LAS-E5-162	LAA-E5-162	162	3.3750	3.417
LAS-E5-168	LAA-E5-168	168	3.5000	3.542
LAS-E5-174	LAA-E5-174	174	3.6250	3.667
LAS-E5-180	LAA-E5-180	180	3.7500	3.792
LAS-E5-186	LAA-E5-186	186	3.8750	3.917
LAS-E5-192	LAA-E5-192	192	4.0000	4.042
LAS-E5-198	LAA-E5-198	198	4.1250	4.167