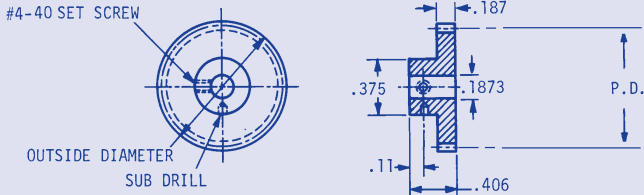


SPUR GEARS-PIN HUB

20° PRESSURE ANGLE

32 PITCH
3/16 FACE
3/16 BORE



Set screw supplied.

Gear tapes certifying accuracy available at additional cost

Specifications: Unless otherwise stated, quality #10 or better gears will be supplied. When ordering Q12 or Q14 please supply the catalog number and add Q12 or Q14

Gear Class	Total Composite Tolerance	Tooth to Tooth Composite Tolerance	Bore	Pitch Dia.	Outside Dia.
Q10	.001	.0004	+ .0005	- .001	- .002
Q12	.0005	.0003	+ .0003	- .0007	- .0015
Q14	.00025	.0002	+ .0002	- .0005	- .001

ORDER BY CATALOG NUMBER

# 303 STAINLESS STEEL	2024-T4-ALUMINUM ANODIZED BEFORE CUTTING	GEAR DATA		
Cat. No.	Cat. No.	No. of Teeth	Pitch Diameter	Outside Diameter
LAS-D1-15	LAA-D1-15	15	.4688	.531
LAS-D1-16	LAA-D1-16	16	.5000	.562
LAS-D1-17	LAA-D1-17	17	.5313	.594
LAS-D1-18	LAA-D1-18	18	.5625	.625
LAS-D1-20	LAA-D1-20	20	.6250	.687
LAS-D1-22	LAA-D1-22	22	.6875	.750
LAS-D1-24	LAA-D1-24	24	.7500	.812
LAS-D1-26	LAA-D1-26	26	.8125	.875
LAS-D1-28	LAA-D1-28	28	.8750	.937
LAS-D1-30	LAA-D1-30	30	.9375	1.000
LAS-D1-32	LAA-D1-32	32	1.0000	1.062
LAS-D1-36	LAA-D1-36	36	1.1250	1.188
LAS-D1-40	LAA-D1-40	40	1.2500	1.312
LAS-D1-48	LAA-D1-48	48	1.5000	1.562
LAS-D1-56	LAA-D1-56	56	1.7500	1.812
LAS-D1-64	LAA-D1-64	64	2.0000	2.062
LAS-D1-72	LAA-D1-72	72	2.2500	2.312
LAS-D1-80	LAA-D1-80	80	2.5000	2.562
LAS-D1-88	LAA-D1-88	88	2.7500	2.812
LAS-D1-96	LAA-D1-96	96	3.0000	3.062
LAS-D1-104	LAA-D1-104	104	3.2500	3.312
LAS-D1-112	LAA-D1-112	112	3.5000	3.562
LAS-D1-120	LAA-D1-120	120	3.7500	3.812
LAS-D1-128	LAA-D1-128	128	4.0000	4.062

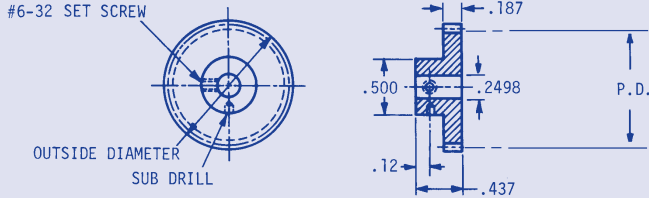
NORDEX

(800) 243-0986 12L
In CT (203) 775-4877

SPUR GEARS-PIN HUB

20° PRESSURE ANGLE

32 PITCH
3/16 FACE
1/4 BORE



Set screw supplied.

Gear tapes certifying accuracy available at additional cost.

Specifications: Unless otherwise stated, quality #10 or better gears will be supplied. When ordering Q12 or Q14 please supply the catalog number and add Q12 or Q14

Gear Class	Total Composite Tolerance	Tooth to Tooth Composite Tolerance	Bore	Pitch Dia.	Outside Dia.
Q10	.001	.0004	+ .0005	- .001	- .002
Q12	.0005	.0003	+ .0003	- .0007	- .0015
Q14	.00025	.0002	+ .0002	- .0005	- .001

# 303 STAINLESS STEEL	2024-T4-ALUMINUM ANODIZED BEFORE CUTTING	GEAR DATA		
Cat. No.	Cat. No.	No. of Teeth	Pitch Diameter	Outside Diameter
LAS-D2-20	LAA-D2-20	20	.6250	.687
LAS-D2-22	LAA-D2-22	22	.6875	.750
LAS-D2-24	LAA-D2-24	24	.7500	.812
LAS-D2-26	LAA-D2-26	26	.8125	.875
LAS-D2-28	LAA-D2-28	28	.8750	.937
LAS-D2-30	LAA-D2-30	30	.9375	1.000
LAS-D2-32	LAA-D2-32	32	1.0000	1.062
LAS-D2-36	LAA-D2-36	36	1.1250	1.187
LAS-D2-38	LAA-D2-38	38	1.1875	1.250
LAS-D2-40	LAA-D2-40	40	1.2500	1.312
LAS-D2-48	LAA-D2-48	48	1.5000	1.562
LAS-D2-52	LAA-D2-52	52	1.6250	1.687
LAS-D2-56	LAA-D2-56	56	1.7500	1.812
LAS-D2-60	LAA-D2-60	60	1.8750	1.937
LAS-D2-64	LAA-D2-64	64	2.0000	2.062
LAS-D2-72	LAA-D2-72	72	2.2500	2.312
LAS-D2-80	LAA-D2-80	80	2.5000	2.562
LAS-D2-88	LAA-D2-88	88	2.7500	2.812
LAS-D2-96	LAA-D2-96	96	3.0000	3.062
LAS-D2-104	LAA-D2-104	104	3.2500	3.312
LAS-D2-108	LAA-D2-108	108	3.3750	3.437
LAS-D2-112	LAA-D2-112	112	3.5000	3.562
LAS-D2-120	LAA-D2-120	120	3.7500	3.812
LAS-D2-128	LAA-D2-128	128	4.0000	4.062
LAS-D2-132	LAA-D2-132	132	4.1250	4.187

The number of teeth shown does not reflect our entire stock, unlisted teeth supplied at modest additional cost. 14 1/2° pressure angle, special bores and materials - price on application.

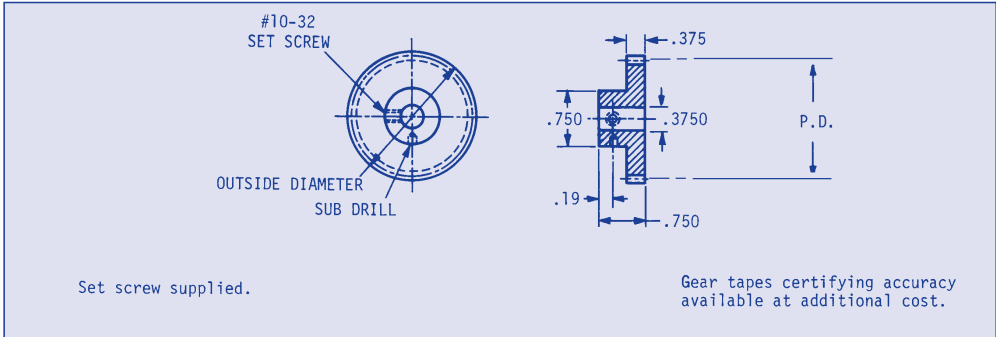
13L (800) 243-0986
In CT (203) 775-4877

NORDEX

SPUR GEARS-PIN HUB

20° PRESSURE ANGLE

**32 PITCH
3/8 FACE
3/8 BORE**



Specifications: Unless otherwise stated, quality #10 or better gears will be supplied. When ordering Q12 or Q14 please supply the catalog number and add Q12 or Q14

Gear Class	Total Composite Tolerance	Tooth to Tooth Composite Tolerance	Bore	Pitch Dia.	Outside Dia.
Q10	.001	.0004	+ .0005	- .001	- .002
Q12	.0005	.0003	+ .0003	- .0007	- .0015
Q14	.00025	.0002	+ .0002	- .0005	- .001

ORDER BY CATALOG NUMBER

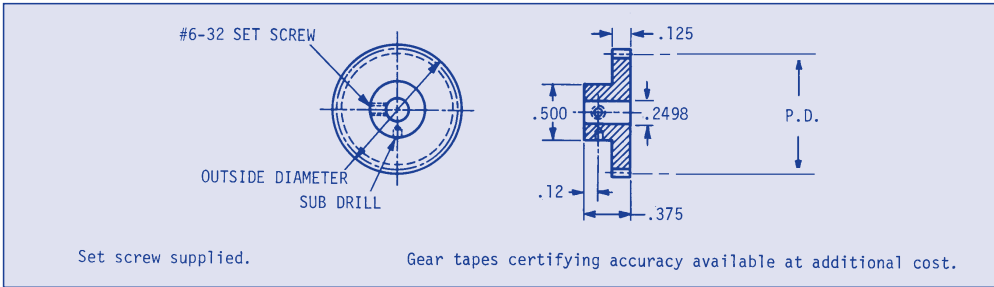
# 303 STAINLESS STEEL	BRONZE	GEAR DATA		
Cat. No.	Cat. No.	No. of Teeth	Pitch Diameter	Outside Diameter
*LAS-D3-20	*LAX-D3-20	20	.6250	.688
*LAS-D3-22	*LAX-D3-22	22	.6875	.750
*LAS-D3-24	*LAX-D3-24	24	.7500	.813
LAS-D3-26	LAX-D3-26	26	.8125	.875
LAS-D3-28	LAX-D3-28	28	.8750	.938
LAS-D3-30	LAX-D3-30	30	.9375	1.000
LAS-D3-32	LAX-D3-32	32	1.0000	1.063
LAS-D3-34	LAX-D3-34	34	1.0625	1.125
LAS-D3-36	LAX-D3-36	36	1.1250	1.188
LAS-D3-38	LAX-D3-38	38	1.1875	1.250
LAS-D3-40	LAX-D3-40	40	1.2500	1.313
LAS-D3-44	LAX-D3-44	44	1.3750	1.438
LAS-D3-48	LAX-D3-48	48	1.5000	1.563
LAS-D3-52	LAX-D3-52	52	1.6250	1.688
LAS-D3-56	LAX-D3-56	56	1.7500	1.813
LAS-D3-60	LAX-D3-60	60	1.8750	1.938

* Gear hob cuts into hub. The gears shown in this section are solid one piece construction. 10C backlash, which permits operation on theoretical centers, also available.

SPUR GEARS-PIN HUB

20° PRESSURE ANGLE

**32 PITCH
1/8 FACE
1/4 BORE**



Specifications: Unless otherwise stated, quality #10 or better gears will be supplied. When ordering Q12 or Q14 please supply the catalog number and add Q12 or Q14

Gear Class	Total Composite Tolerance	Tooth to Tooth Composite Tolerance	Bore	Pitch Dia.	Outside Dia.
Q10	.001	.0004	+ .0005	- .001	- .002
Q12	.0005	.0003	+ .0003	- .0007	- .0015
Q14	.00025	.0002	+ .0002	- .0005	- .001

# 303 STAINLESS STEEL	2024-T4-ALUMINUM ANODIZED BEFORE CUTTING	GEAR DATA		
Cat. No.	Cat. No.	No. of Teeth	Pitch Diameter	Outside Diameter
*LAS-D4-18	*LAA-D4-18	18	.5625	.625
LAS-D4-20	LAA-D4-20	20	.6250	.687
LAS-D4-22	LAA-D4-22	22	.6875	.750
LAS-D4-24	LAA-D4-24	24	.7500	.812
LAS-D4-25	LAA-D4-25	25	.7813	.844
LAS-D4-26	LAA-D4-26	26	.8125	.875
LAS-D4-28	LAA-D4-28	28	.8750	.937
LAS-D4-30	LAA-D4-30	30	.9375	1.000
LAS-D4-32	LAA-D4-32	32	1.0000	1.062
LAS-D4-36	LAA-D4-36	36	1.1250	1.188
LAS-D4-40	LAA-D4-40	40	1.2500	1.312
LAS-D4-42	LAA-D4-42	42	1.3125	1.375
LAS-D4-45	LAA-D4-45	45	1.4063	1.469
LAS-D4-48	LAA-D4-48	48	1.5000	1.562
LAS-D4-50	LAA-D4-50	50	1.5625	1.625
LAS-D4-54	LAA-D4-54	54	1.6875	1.750
LAS-D4-56	LAA-D4-56	56	1.7500	1.812
LAS-D4-60	LAA-D4-60	60	1.8750	1.938
LAS-D4-64	LAA-D4-64	64	2.0000	2.062
LAS-D4-70	LAA-D4-70	70	2.1875	2.250
LAS-D4-72	LAA-D4-72	72	2.2500	2.312
LAS-D4-75	LAA-D4-75	75	2.3438	2.406
LAS-D4-76	LAA-D4-76	76	2.3750	2.438
LAS-D4-80	LAA-D4-80	80	2.5000	2.562
LAS-D4-88	LAA-D4-88	88	2.7500	2.812
LAS-D4-90	LAA-D4-90	90	2.8125	2.875
LAS-D4-96	LAA-D4-96	96	3.0000	3.062
LAS-D4-100	LAA-D4-100	100	3.1250	3.188
LAS-D4-110	LAA-D4-110	110	3.4375	3.500
LAS-D4-120	LAA-D4-120	120	3.7500	3.812