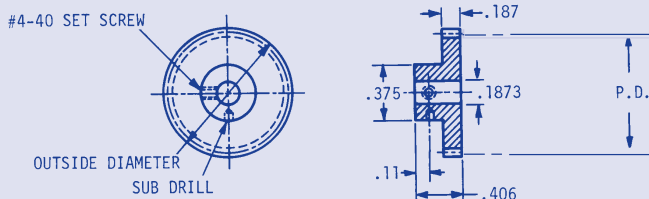


SPUR GEARS-PIN HUB

20° PRESSURE ANGLE

24 PITCH
3/16 FACE
3/16 BORE



Set screw supplied.

Gear tapes certifying accuracy available at additional cost.

Specifications: Unless otherwise stated, quality #10 or better gears will be supplied.

Gear Class	Total Composite Tolerance	Tooth to Tooth Composite Tolerance	Bore	Pitch Dia.	Outside Dia.
Q10	.001	.0004	+ .0005	-.001	-.002
Q12	.0005	.0003	+ .0003	-.0007	-.0015
Q14	.00025	.0002	+ .0002	-.0005	-.001

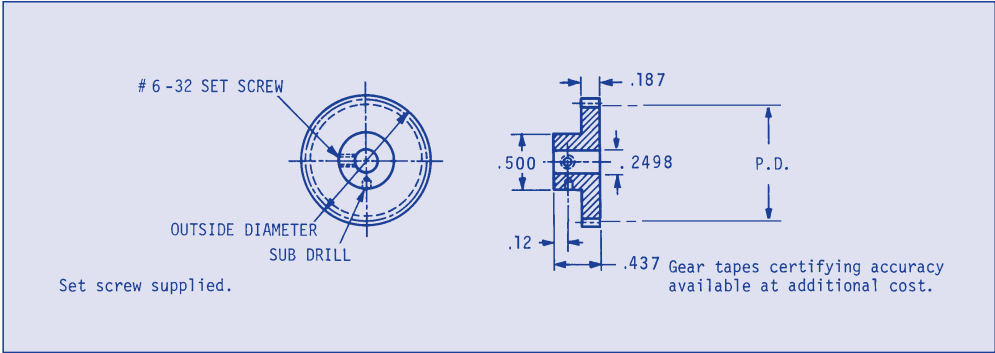
ORDER BY CATALOG NUMBER

# 303 STAINLESS STEEL	2024-T4 ALUMINUM ANODIZED BEFORE CUTTING	GEAR DATA		
Cat. No.	Cat. No.	No. of Teeth	Pitch Diameter	Outside Diameter
LAS-C1-12	LAA-C1-12	12	.5000	.583
LAS-C1-13	LAA-C1-13	13	.5418	.625
LAS-C1-14	LAA-C1-14	14	.5833	.667
LAS-C1-15	LAA-C1-15	15	.6250	.708
LAS-C1-16	LAA-C1-16	16	.6667	.750
LAS-C1-17	LAA-C1-17	17	.7083	.792
LAS-C1-19	LAA-C1-19	19	.7917	.875
LAS-C1-20	LAA-C1-20	20	.8333	.917
LAS-C1-22	LAA-C1-22	22	.9167	1.000
LAS-C1-24	LAA-C1-24	24	1.0000	1.083
LAS-C1-30	LAA-C1-30	30	1.2500	1.333
LAS-C1-36	LAA-C1-36	36	1.5000	1.583
LAS-C1-42	LAA-C1-42	42	1.7500	1.833
LAS-C1-48	LAA-C1-48	48	2.0000	2.083
LAS-C1-54	LAA-C1-54	54	2.2500	2.333
LAS-C1-60	LAA-C1-60	60	2.5000	2.583
LAS-C1-72	LAA-C1-72	72	3.0000	3.083
LAS-C1-84	LAA-C1-84	84	3.5000	3.583
LAS-C1-87	LAA-C1-87	87	3.6250	3.708
LAS-C1-96	LAA-C1-96	96	4.0000	4.083

SPUR GEARS-PIN HUB

20° PRESSURE ANGLE

**24 PITCH
3/16 FACE
1/4 BORE**



Specifications: Unless otherwise stated, quality #10 or better gears will be supplied.

Gear Class	Total Composite Tolerance	Tooth to Tooth Composite Tolerance	Bore	Pitch Dia.	Outside Dia.
Q10	.001	.0004	+ .0005	- .001	- .002
Q12	.0005	.0003	+ .0003	- .0007	- .0015
Q14	.00025	.0002	+ .0002	- .0005	- .001

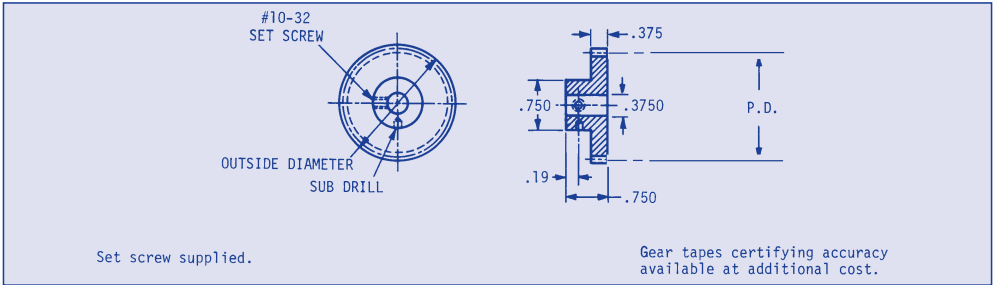
ORDER BY CATALOG NUMBER

# 303 STAINLESS STEEL	2024-T4 ALUMINUM ANODIZED BEFORE CUTTING	GEAR DATA		
Cat. No.	Cat. No.	No. of Teeth	Pitch Diameter	Outside Diameter
LAS-C2-15	LAA-C2-15	15	.6250	.708
LAS-C2-16	LAA-C2-16	16	.6667	.750
LAS-C2-18	LAA-C2-18	18	.7500	.833
LAS-C2-20	LAA-C2-20	20	.8333	.917
LAS-C2-21	LAA-C2-21	21	.8750	.958
LAS-C2-22	LAA-C2-22	22	.9167	1.000
LAS-C2-24	LAA-C2-24	24	1.0000	1.083
LAS-C2-27	LAA-C2-27	27	1.1250	1.208
LAS-C2-30	LAA-C2-30	30	1.2500	1.333
LAS-C2-33	LAA-C2-33	33	1.3750	1.458
LAS-C2-36	LAA-C2-36	36	1.5000	1.583
LAS-C2-39	LAA-C2-39	39	1.6250	1.708
LAS-C2-42	LAA-C2-42	42	1.7500	1.833
LAS-C2-45	LAA-C2-45	45	1.8750	1.958
LAS-C2-51	LAA-C2-51	51	2.1250	2.208
LAS-C2-54	LAA-C2-54	54	2.2500	2.333
LAS-C2-57	LAA-C2-57	57	2.3750	2.458
LAS-C2-60	LAA-C2-60	60	2.5000	2.583
LAS-C2-66	LAA-C2-66	66	2.7250	2.833
LAS-C2-72	LAA-C2-72	72	3.0000	3.083
LAS-C2-78	LAA-C2-78	78	3.2500	3.333
LAS-C2-84	LAA-C2-84	84	3.5000	3.583
LAS-C2-90	LAA-C2-90	90	3.7500	3.833
LAS-C2-96	LAA-C2-96	96	4.0000	4.083

SPUR GEARS-PIN HUB

20° PRESSURE ANGLE

**24 PITCH
3/8 FACE
3/8 BORE**



Specifications: Unless otherwise stated, quality #10 or better gears will be supplied.

Gear Class	Total Composite Tolerance	Tooth to Tooth Composite Tolerance	Bore	Pitch Dia.	Outside Dia.
Q10	.001	.0004	+.0005	-.001	-.002
Q12	.0005	.0003	+.0003	-.0007	-.0015
Q14	.00025	.0002	+.0002	-.0005	-.001

ORDER BY CATALOG NUMBER

# 303 STAINLESS STEEL	BRONZE	GEAR DATA		
Cat. No.	Cat. No.	No. of Teeth	Pitch Diameter	Outside Diameter
*LAS-C3-16	*LAB-C3-16	16	.6667	.750
*LAS-C3-17	*LAB-C3-17	17	.7083	.791
*LAS-C3-18	*LAB-C3-18	18	.7500	.833
*LAS-C3-19	*LAB-C3-19	19	.7917	.875
*LAS-C3-20	*LAB-C3-20	20	.8333	.916
LAS-C3-21	LAB-C3-21	21	.8750	.958
LAS-C3-22	LAB-C3-22	22	.9167	1.000
LAS-C3-23	LAB-C3-23	23	.9583	1.041
LAS-C3-24	LAB-C3-24	24	1.0000	1.083
LAS-C3-26	LAB-C3-26	26	1.0833	1.167
LAS-C3-27	LAB-C3-27	27	1.1250	1.208
LAS-C3-28	LAB-C3-28	28	1.1667	1.250
LAS-C3-30	LAB-C3-30	30	1.2500	1.333
LAS-C3-33	LAB-C3-33	33	1.3750	1.458
LAS-C3-36	LAB-C3-36	36	1.5000	1.583
LAS-C3-39	LAB-C3-39	39	1.6250	1.708
LAS-C3-42	LAB-C3-42	42	1.7500	1.833
LAS-C3-45	LAB-C3-45	45	1.8750	1.958
LAS-C3-48	LAB-C3-48	48	2.0000	2.083
LAS-C3-56	LAB-C3-56	56	2.3333	2.417
LAS-C3-60	LAB-C3-60	60	2.5000	2.583
LAS-C3-72	LAB-C3-72	72	3.0000	3.083
LAS-C3-80	LAB-C3-80	80	3.3333	3.417
LAS-C3-96	LAB-C3-96	96	4.0000	4.083
LAS-C3-112	LAB-C3-112	112	4.6667	4.750
LAS-C3-120	LAB-C3-120	120	5.0000	5.083

* Gear hob cuts into hub. The gears listed above under 2" O.D. are solid, **one piece** construction. Gears with 2" O.D. and over are pinned and staked.

** Price on application

11L (800) 243-0986
In CT (203) 775-4877

NORDEX