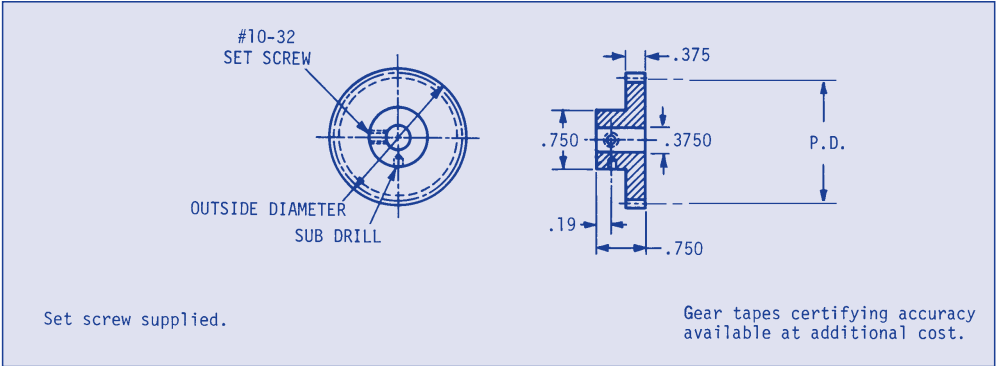


SPUR GEARS-PIN HUB

20° PRESSURE ANGLE

**20 PITCH
3/8 FACE
3/8 BORE**



Specifications: Unless otherwise stated, quality #10 or better gears will be supplied

Gear Class	Total Composite Tolerance	Tooth to Tooth Composite Tolerance	Bore	Pitch Dia.	Outside Dia.
Q10	.001	.0004	+ .0005	- .001	- .002
Q12	.0005	.0003	+ .0003	- .0007	- .0015
Q14	.00025	.0002	+ .0002	- .0005	- .001

ORDER BY CATALOG NUMBER

# 303 STAINLESS STEEL	BRONZE	GEAR DATA		
Cat. No.	Cat. No.	No. of Teeth	Pitch Diameter	Outside Diameter
*LAS-B1-12	*LAB-B1-12	12	.600	.700
*LAS-B1-14	*LAB-B1-14	14	.700	.800
*LAS-B1-15	*LAB-B1-15	15	.750	.850
*LAS-B1-16	*LAB-B1-16	16	.800	.900
LAS-B1-18	LAB-B1-18	18	.900	1.000
LAS-B1-20	LAB-B1-20	20	1.000	1.100
LAS-B1-24	LAB-B1-24	24	1.200	1.300
LAS-B1-28	LAB-B1-28	28	1.400	1.500
LAS-B1-30	LAB-B1-30	30	1.500	1.600
LAS-B1-36	LAB-B1-36	36	1.800	1.900

The number of teeth shown does not reflect our entire stock, unlisted teeth supplied at modest additional cost. 14 1/2° pressure angle, special bores and materials - price on application.

10C backlash, which permits operation on theoretical centers, is also available.

The gears listed above are solid one piece construction.

* Gear hob cuts into hub.

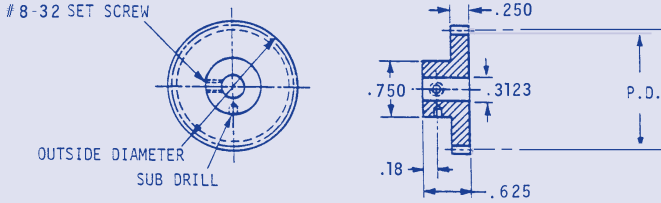
5L (800) 243-0986
In CT (203) 775-4877

NORDEX

SPUR GEARS-PIN HUB

20° PRESSURE ANGLE

20 PITCH
1/4 FACE
5/16 BORE



Set screw supplied.

Gear tapes certifying accuracy available at additional cost.

Specifications: Unless otherwise stated, Q10 or better gears will be supplied. When ordering Q12 or Q14 please supply the catalog number and add Q12 or Q14.

Gear Class	Total Composite Tolerance	Tooth to Tooth Composite Tolerance	Bore	Pitch Dia.	Outside Dia.
Q10	.001	.0004	+.0005	-.001	-.002
Q12	.0005	.0003	+.0003	-.0007	-.0015
Q14	.00025	.0002	+.0002	-.0005	-.001

ORDER BY CATALOG NUMBER

# 303 STAINLESS STEEL	GEAR DATA		
Cat. No.	No. of Teeth	Pitch Diameter	Outside Diameter
*LAS-B2-14	14	.700	.800
*LAS-B2-15	15	.750	.850
*LAS-B2-16	16	.800	.900
LAS-B2-18	18	.900	1.000
LAS-B2-20	20	1.000	1.100
LAS-B2-24	24	1.200	1.300
LAS-B2-25	25	1.250	1.350
LAS-B2-28	28	1.400	1.500
LAS-B2-30	30	1.500	1.600
LAS-B2-33	33	1.650	1.750
LAS-B2-36	36	1.800	1.900
LAS-B2-40	40	2.000	2.100
LAS-B2-42	42	2.100	2.200
LAS-B2-48	48	2.400	2.500
LAS-B2-50	50	2.500	2.600
LAS-B2-54	54	2.700	2.800
LAS-B2-60	60	3.000	3.100
LAS-B2-66	66	3.300	3.400
LAS-B2-70	70	3.500	3.600
LAS-B2-80	80	4.000	4.100

* Gear hob cuts into hub

NORDEX

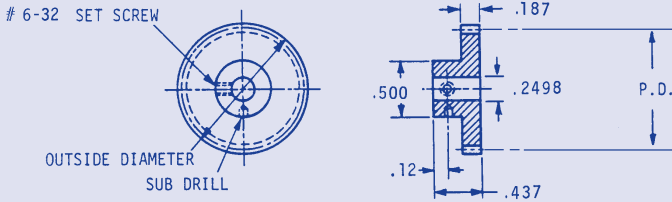
(800) 243-0986
In CT (203) 775-4877

6L

SPUR GEARS-PIN HUB

20° PRESSURE ANGLE

20 PITCH
3/16 FACE
1/4 BORE



Set screw supplied.

Gear tapes certifying accuracy available at additional cost.

Specifications: Unless otherwise stated, Q10 or better gears will be supplied. When ordering Q12 or Q14, please supply the catalog number and add Q12 or Q14.

Gear Class	Total Composite Tolerance	Tooth to Tooth Composite Tolerance	Bore	Pitch Dia.	Outside Dia.
Q10	.001	.0004	+ .0005	- .001	- .002
Q12	.0005	.0003	+ .0003	- .0007	- .0015
Q14	.00025	.0002	+ .0002	- .0005	- .001

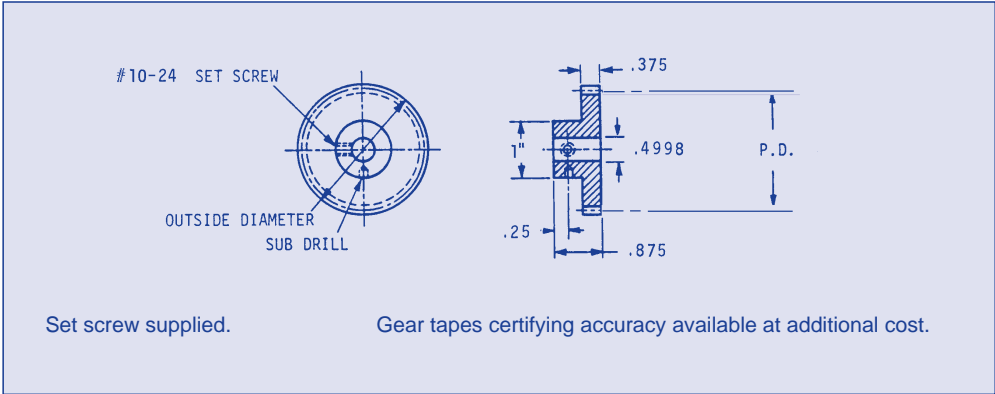
ORDER BY CATALOG NUMBER

# 303 STAINLESS STEEL	2024-T4 ALUMINUM ANODIZED BEFORE CUTTING	GEAR DATA		
Cat. No.	Cat. No.	No. of Teeth	Pitch Diameter	Outside Diameter
LAS-B3-14	LAA-B3-14	14	.700	.800
LAS-B3-15	LAA-B3-15	15	.750	.850
LAS-B3-16	LAA-B3-16	16	.800	.900
LAS-B3-18	LAA-B3-18	18	.900	1.000
LAS-B3-20	LAA-B3-20	20	1.000	1.100
LAS-B3-24	LAA-B3-24	24	1.200	1.300
LAS-B3-25	LAA-B3-25	25	1.250	1.350
LAS-B3-28	LAA-B3-28	28	1.400	1.500
LAS-B3-30	LAA-B3-30	30	1.500	1.600
LAS-B3-33	LAA-B3-33	33	1.650	1.750
LAS-B3-36	LAA-B3-36	36	1.800	1.900
LAS-B3-40	LAA-B3-40	40	2.000	2.100
LAS-B3-42	LAA-B3-42	42	2.100	2.200
LAS-B3-48	LAA-B3-48	48	2.400	2.500
LAS-B3-50	LAA-B3-50	50	2.500	2.600
LAS-B3-54	LAA-B3-54	54	2.700	2.800
LAS-B3-60	LAA-B3-60	60	3.000	3.100
LAS-B3-66	LAA-B3-66	66	3.300	3.400
LAS-B3-70	LAA-B3-70	70	3.500	3.600
LAS-B3-80	LAA-B3-80	80	4.000	4.100

SPUR GEARS-PIN HUB

20° PRESSURE ANGLE

**20 PITCH
3/8 FACE
1/2 BORE**



Specifications: Unless otherwise stated, Q10 or better gears will be supplied. When ordering Q12 or Q14 please supply the catalog number and add Q12 or Q14.

Gear Class	Total Composite Tolerance	Tooth to Tooth Composite Tolerance	Bore	Pitch Dia.	Outside Dia.
Q10	.001	.0004	+ .0005	- .001	- .002
Q12	.0005	.0003	+ .0003	- .0007	- .0015
Q14	.00025	.0002	+ .0002	- .0005	- .001

ORDER BY CATALOG NUMBER

# 303 STAINLESS STEEL	GEAR DATA			
Cat. No.	No. of Teeth	Pitch Diameter	Outside Diameter	
LAS-B4-24	24	1.200	1.300	
LAS-B4-25	25	1.250	1.350	
LAS-B4-28	28	1.400	1.500	
LAS-B4-30	30	1.500	1.600	
LAS-B4-35	35	1.750	1.850	
LAS-B4-38	38	1.900	2.000	
LAS-B4-40	40	2.000	2.100	
LAS-B4-45	45	2.250	2.350	
LAS-B4-50	50	2.500	2.600	
LAS-B4-55	55	2.750	2.850	
LAS-B4-60	60	3.000	3.100	
LAS-B4-65	65	3.250	3.350	
LAS-B4-70	70	3.500	3.600	
LAS-B4-75	75	3.750	3.850	
LAS-B4-80	80	4.000	4.100	

Aluminum available on request

NORDEX

(800) 243-0986
In CT (203) 775-4877

8L